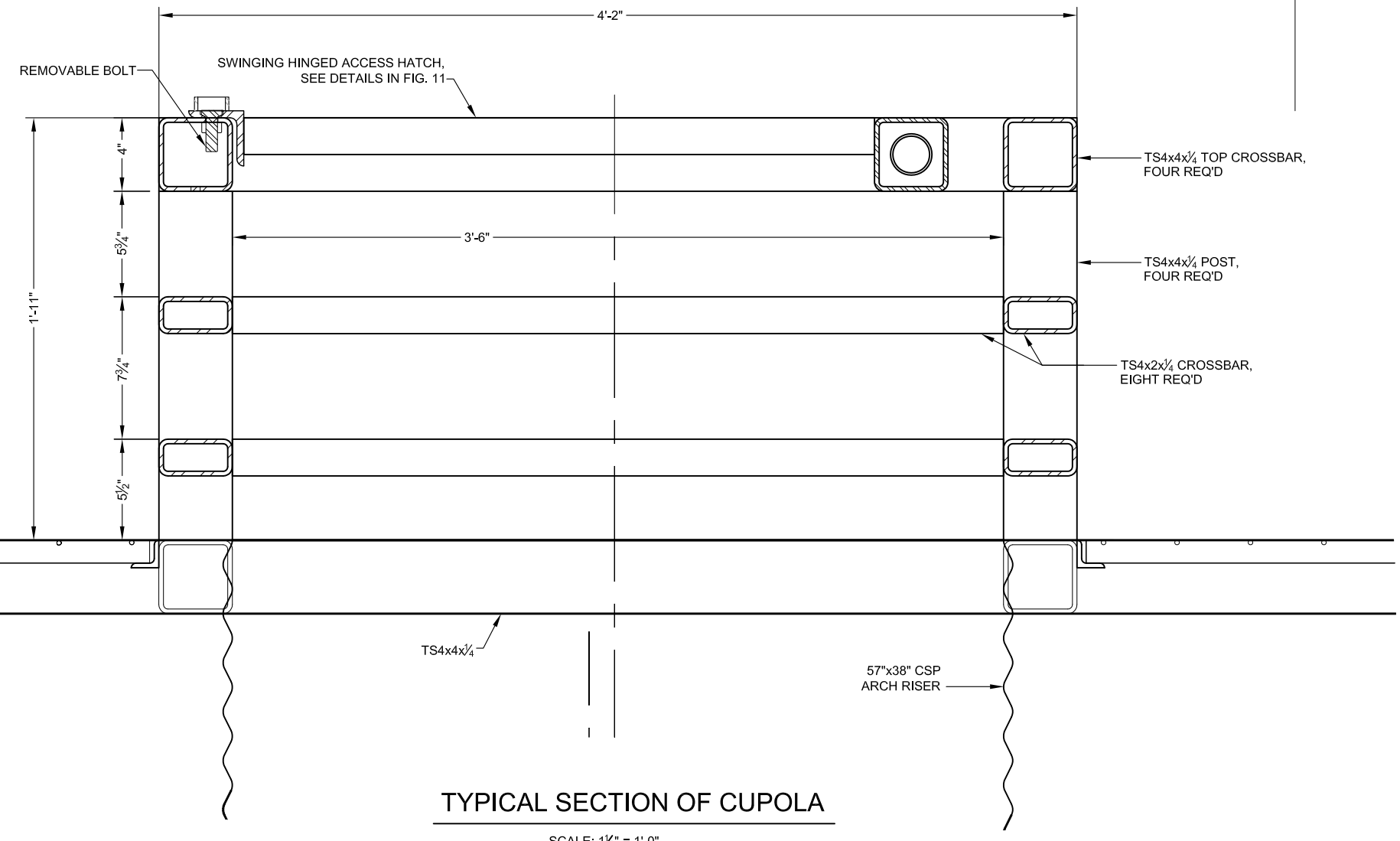
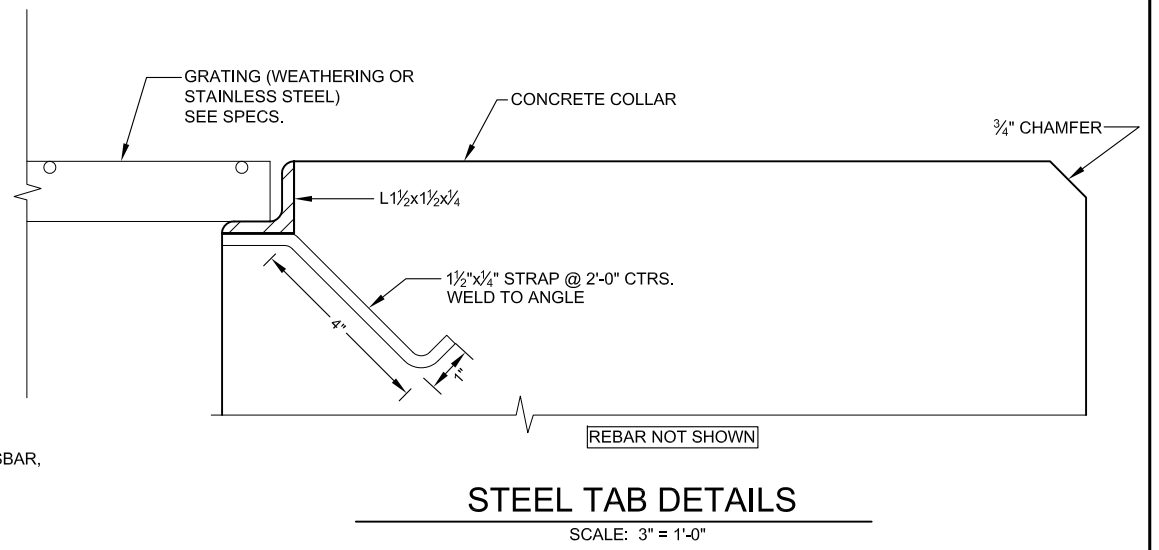
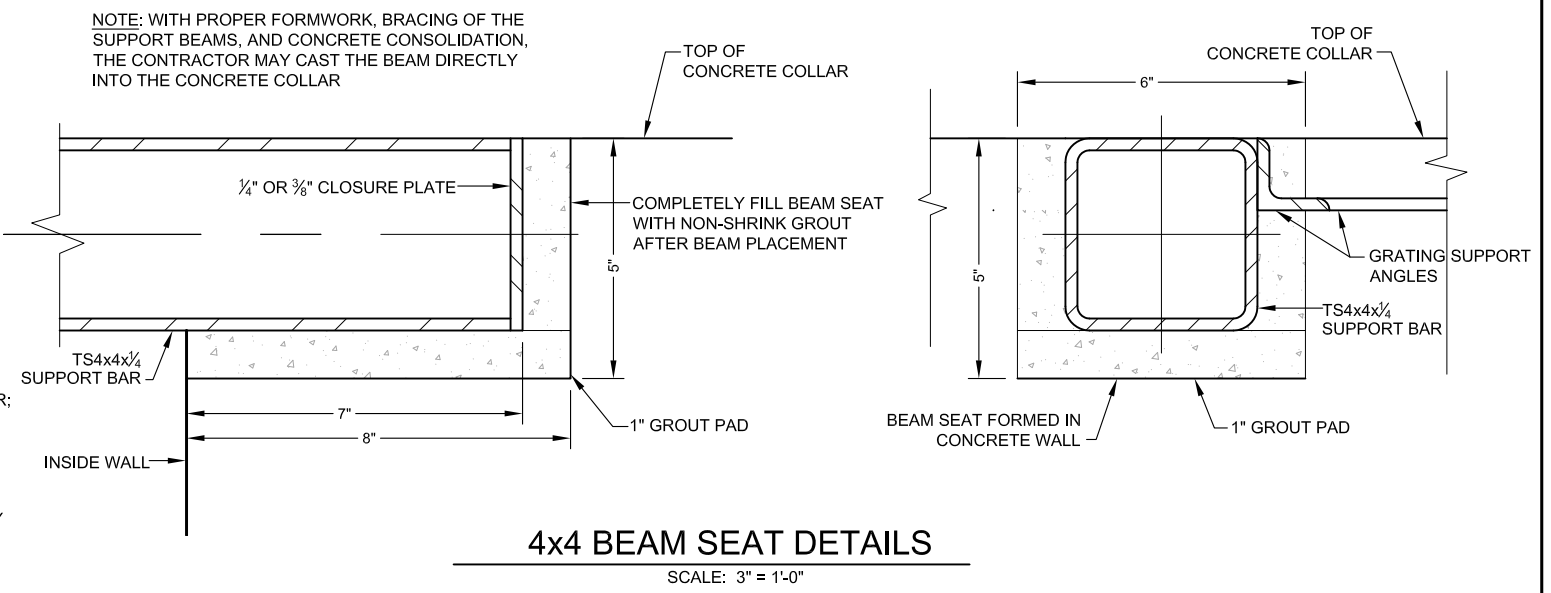
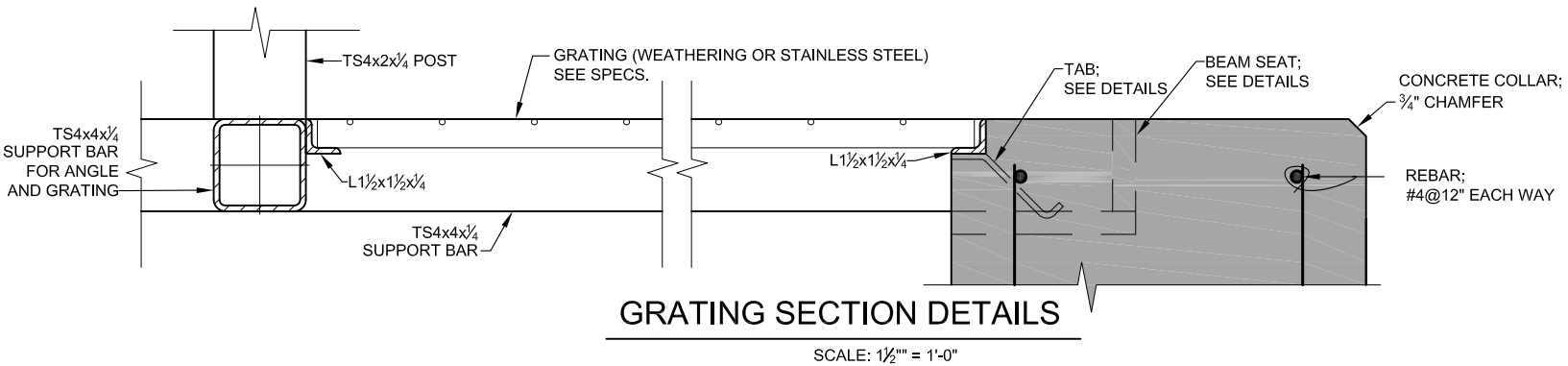


CAUTION - THIS PROJECT REQUIRES CONSTRUCTION WORK IN, AROUND, AND OVER EXISTING MINE OPENINGS. ALL WORK SHALL BE DONE IN ACCORDANCE WITH THE MINE SAFETY ACT AND ALL APPLICABLE REGULATIONS. THE CONTRACTOR SHALL BE RESPONSIBLE FOR IDENTIFYING AND MARKING ALL MINE OPENINGS AND PROVIDING ADEQUATE WARNING AND PROTECTIVE MEASURES. THE CONTRACTOR SHALL MAINTAIN CLEAR ACCESS TO ALL MINE OPENINGS AT ALL TIMES. THE CONTRACTOR SHALL BE RESPONSIBLE FOR OBTAINING ALL NECESSARY PERMITS AND APPROVALS. THE CONTRACTOR SHALL BE RESPONSIBLE FOR SCHEDULING EQUIPMENT, PERSONNEL, AND SAFETY PROCEDURES TO PREVENT ACCIDENTS AND INJURIES.



GENERAL NOTES:

1. THIS DRAWING SHOWS THE GENERAL SHAPES AND APPROXIMATE SIZES OF THE MINE OPENINGS AND THE CORRESPONDING LAYOUTS OF THE CUPOLA AND ARCH RISER PIPE. THE DRAWING SHALL BE USED AS A GUIDE FOR FIELD LAYOUT. DETERMINE THE ACTUAL LAYOUTS AND DIMENSIONS OF THE CLOSURES IN THE FIELD PRIOR TO FABRICATION.
2. TUBULAR STEEL, STEEL SHAPES, PLATES, AND BARS SHALL BE WEATHERING STEEL AS SPECIFIED. WELD ALL JOINTS. TOLERANCES ON THE CENTER-TO-CENTER DIMENSIONS BETWEEN CROSSBARS IS $\pm 1/16$ INCH.
3. CONSTRUCT AND WELD THE CLOSURE TO ELIMINATE SURFACES ON WHICH MOISTURE ACCUMULATION CAN OCCUR. JOINTS SHALL BE TIGHT SO THAT MOISTURE CANNOT ENTER BETWEEN THE PLIES OF MATERIAL.
4. COVER ALL POLYURETHANE FOAM SURFACES COMPLETELY WITHIN ONE HOUR OF INSTALLATION TO PREVENT UV DEGRADATION.
5. MINIMIZE THE AMOUNT OF ROCK AND OTHER DEBRIS THAT FALL INTO THE MINE OPENINGS DURING CONSTRUCTION. PULL LOOSE MATERIAL UP AND OUT ONTO THE WASTE PILE.
6. SLOPE THE FINISH GRADE TO DRAIN STORM WATER DOWNHILL AND AWAY FROM THE COLLAR.
7. SEE SPECIFICATION 05530 FOR STEEL GRATING DETAILS. ORIENT GRATING BEARING BARS TO SHORTEST DISTANCE BETWEEN SUPPORTS.
8. PLACE SURVEY MARKER, PROVIDED BY THE PROJECT MANAGER, INTO THE CONCRETE FOOTING.

ABANDONED MINE LAND PROGRAM		
MINING AND MINERALS DIVISION		
NEW MEXICO ENERGY, MINERALS, AND NATURAL RESOURCES DEPARTMENT		
SCALE: AS SHOWN	FEATURE 6-37	DRAWN BY: MWT
DATE:		REVISED BY:
CUPOLA DETAILS		
FILE:	CERRILLOS/BONANZA CREEK MINE SAFEGUARD PROJECT	FIGURE: 6