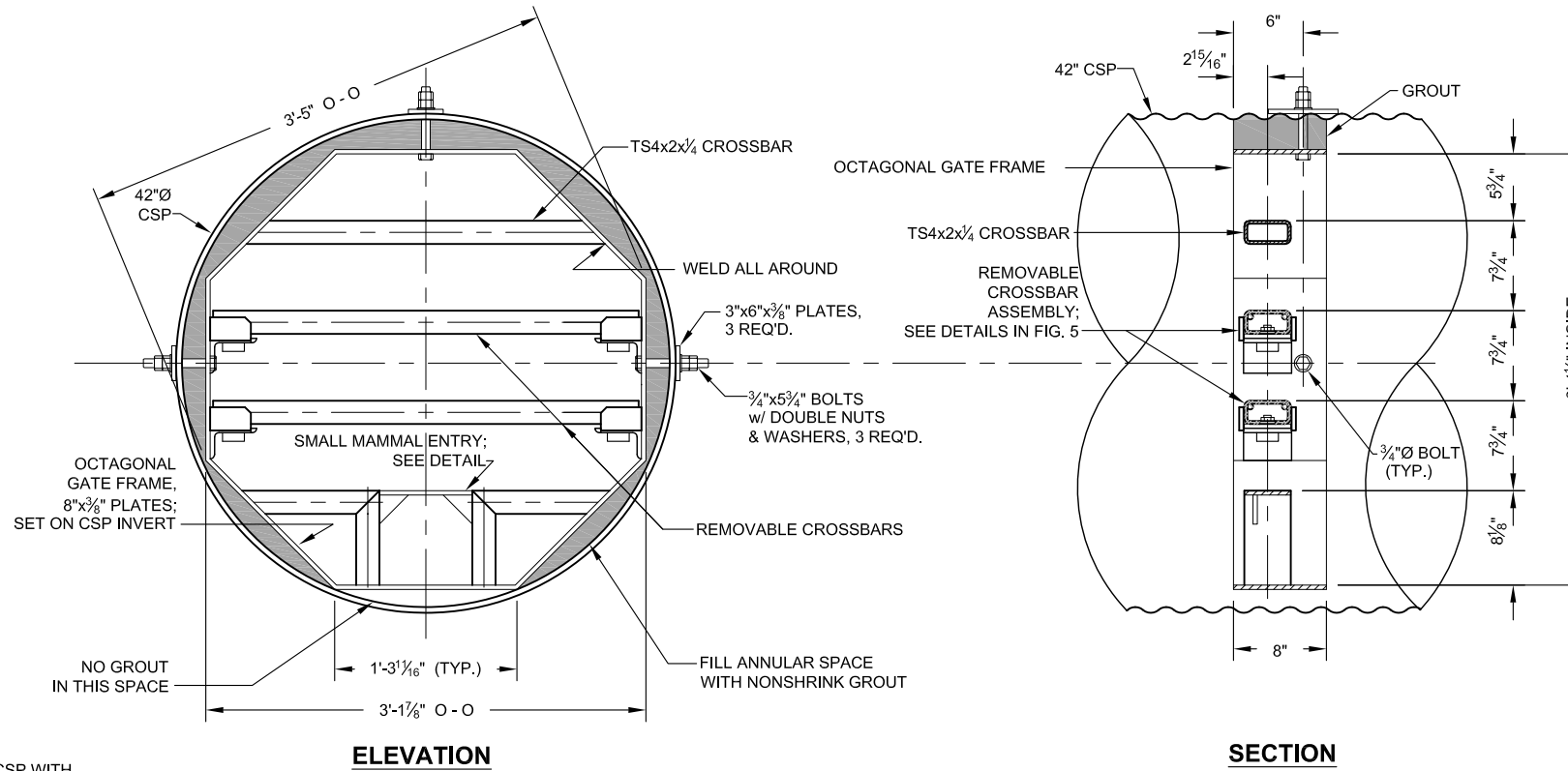




PHOTO OF F272

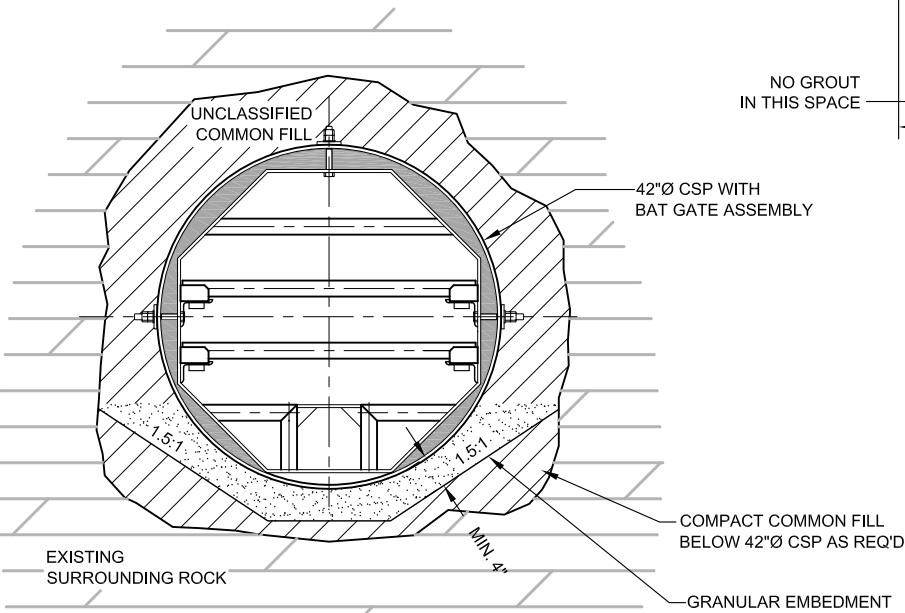


BAT GATE DETAILS

SCALE: 3/4" = 1'-0"

GENERAL NOTES:

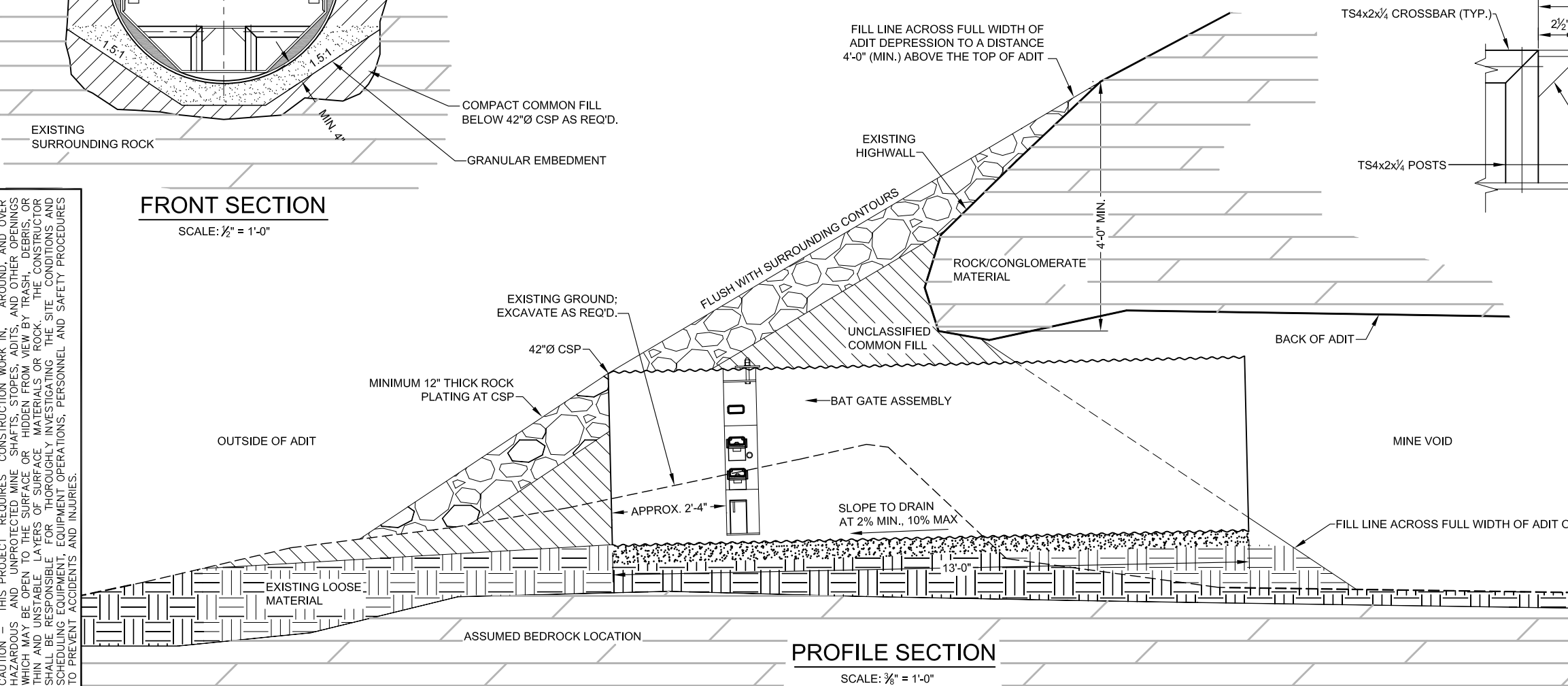
1. THE SHAPE AND DIMENSIONS SHOWN AT THE EXISTING ADIT OPENING ARE APPROXIMATE. FIELD VERIFY ALL DIMENSIONS BEFORE FABRICATION.
2. USE FILL MATERIAL AND COVER ROCK FROM SOURCE AREAS DESIGNATED BY AML ARCHEOLOGISTS.
3. STEEL PLATES AND SHAPES FOR THE BAT GATE ASSEMBLY SHALL BE WEATHERING STEEL AS SPECIFIED. WELD ALL JOINTS. PLATES FOR BOLTS, BOLTS AND NUTS SHALL BE WEATHERING OR STAINLESS STEEL. DOUBLE-NUT ALL BOLTS. ROUND OR CHAMFER ALL EXPOSED EDGES AND CORNERS. REMOVE ALL WRITING AND SPILLED GROUT FROM STEEL MEMBERS AFTER CONSTRUCTION.
4. COMMON FILL IS UNCLASSIFIED; MINE WASTE MATERIAL IS ACCEPTABLE. MATERIAL WITHIN ONE FOOT OF THE CORRUGATED STEEL PIPE SHALL BE SMALLER THAN THREE INCHES. THOROUGHLY COMPACT ALL FILL MATERIAL BELOW AND WITHIN TWO FEET OF THE SIDES OF THE CSP TO MINIMIZE SETTLEMENT. GRADE MATERIAL SOURCE AREAS AS DIRECTED BY THE PROJECT MANAGER.
5. ROCK PLATING SHALL BE SOUND, DURABLE NATIVE ROCK AS LARGE AS PRACTICABLE AND NO SMALLER THAN 6" IN LEAST DIMENSION. PLACE ROCK PLATING AS SHOWN AND ACROSS FULL WIDTH OF ADIT OPENING. DO NOT BLOCK THE CSP OPENING.
6. GROUT SHALL BE CONSTRUCTION GRADE.
7. PAINT VISIBLE PORTIONS OF CSP (INSIDE AND OUTSIDE) WITH NATINA STAIN OR APPROVED EQUIVALENT FOR CAMOUFLAGE. COLOR SHOULD BLEND IN WITH THE ROCK BULKHEAD AS DIRECTED BY THE PROJECT MANAGER.
8. INSTALL SURVEY MARKER INTO GROUT OR ADJACENT COMPETENT ROCK AS DIRECTED BY THE PROJECT MANAGER. AML PROJECT MANAGER WILL PROVIDE LOCKING BOLTS AND THE CONTRACTOR SHALL MAKE SURE THEY FIT CORRECTLY.



FRONT SECTION

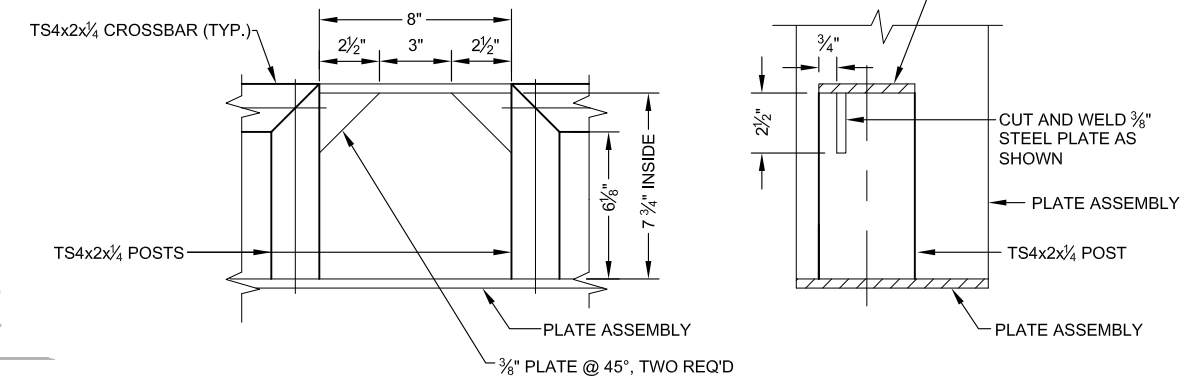
SCALE: 1/2" = 1'-0"

FILL LINE ACROSS FULL WIDTH OF ADIT DEPRESSION TO A DISTANCE 4'-0" (MIN.) ABOVE THE TOP OF ADIT



PROFILE SECTION

SCALE: 3/8" = 1'-0"



ELEVATION

SECTION

SMALL MAMMAL ENTRY DETAILS

SCALE: 1/2" = 1'-0"

CAUTION - THIS PROJECT REQUIRES CONSTRUCTION WORK IN, AROUND, AND OVER HAZARDOUS AND UNPROTECTED MINE SHAFTS, STOPS, ADITS, AND OTHER OPENINGS WHICH MAY BE OPEN TO THE SURFACE OR HIDDEN FROM VIEW BY TRASH, DEBRIS, OR THIN AND UNSTABLE LAYERS OF SURFACE MATERIALS OR ROCK. THE CONSTRUCTOR SHALL BE RESPONSIBLE FOR THOROUGHLY INVESTIGATING THE SITE CONDITIONS AND SCHEDULING EQUIPMENT, PERSONNEL AND SAFETY PROCEDURES TO PREVENT ACCIDENTS AND INJURIES.

ABANDONED MINE LAND PROGRAM MINING AND MINERALS DIVISION NEW MEXICO ENERGY, MINERALS, AND NATURAL RESOURCES DEPARTMENT		
SCALE: AS SHOWN	F272	DRAWN BY: MWT
DATE:		REVISED BY:
CULVERT WITH BAT GATE		
FILE:	COOKES PEAK WEST MINE SAFEGUARD PROJECT-PHASE I	FIGURE: 4