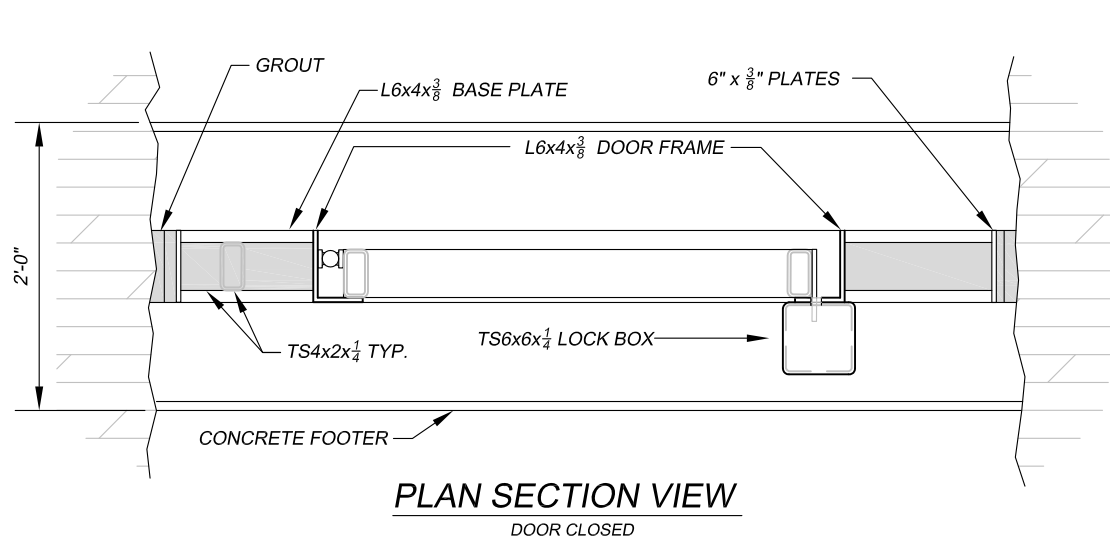
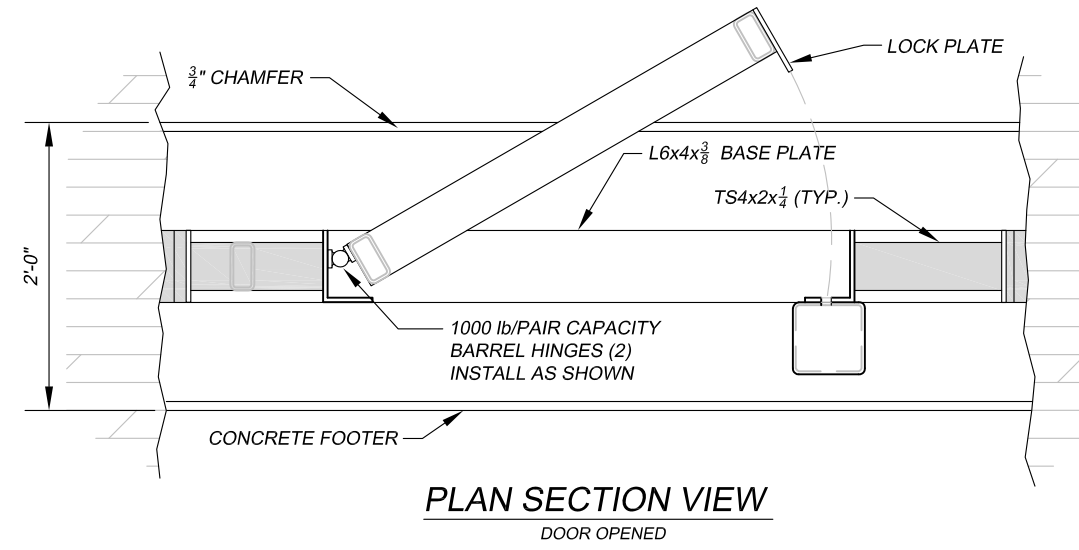


SEE PLATE 4 FOR
ADDITIONAL DOOR DETAILS



PLAN SECTION VIEW
DOOR CLOSED



PLAN SECTION VIEW
DOOR OPENED

GENERAL NOTES:

1. THIS DRAWING SHOWS THE GENERAL SHAPE AND APPROXIMATE PROFILE OF THE ADIT AT THE INTENDED LOCATION OF THE CLOSURE. USE THE DRAWING AS A GUIDE FOR FIELD LAYOUT OF THE CLOSURE. FIELD VERIFY DIMENSIONS PRIOR TO FABRICATION.
2. CAREFULLY REMOVE EXISTING STEEL PLATE DOOR NEAR ADIT ENTRANCE. MINIMIZE DAMAGE TO EXISTING WOOD FRAMEWORK. DISPOSE OF STEEL PLATE AS DIRECTED BY THE AML PROJECT MANAGER.
3. TUBULAR STEEL, STEEL PLATES, AND SHAPES SHALL BE WEATHERING STEEL AS SPECIFIED. WELD ALL JOINTS. JOINTS SHALL BE TIGHT SO THAT MOISTURE CANNOT ENTER BETWEEN PLYS OF MATERIAL. ROUND OR CHAMFER ALL SHARP EDGES AND CORNERS.
4. GROUT SHALL BE CONSTRUCTION GRADE.
5. PLACE A 3/4" CHAMFER ON ALL EXPOSED EDGES OF CONCRETE FOOTER.
6. TOLERANCES ON THE CENTER-TO-CENTER DIMENSIONS BETWEEN POSTS SHALL BE ±1/8".
7. PLACE A SURVEY MARKER, PROVIDED BY THE PROJECT MANAGER, INTO THE FOOTER.

ABANDONED MINE LAND PROGRAM MINING AND MINERALS DIVISION ENERGY, MINERALS AND NATURAL RESOURCES DEPARTMENT		
SCALE: 3/4"=1'-0"	ADIT 598-01	DRAWN BY: JTG
DATE: OCT. 16, 2012		REVISED:
GRATING DETAILS		
Cleveland Mine Safeguard Project		DRAWING NUMBER: FIGURE 3