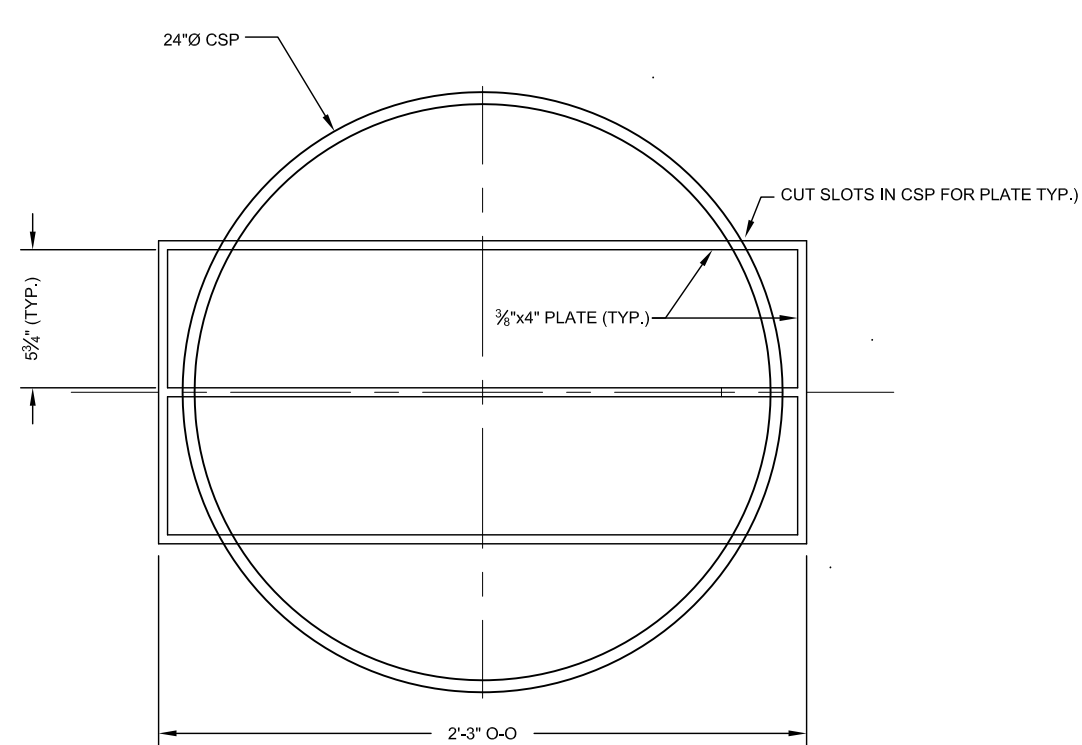
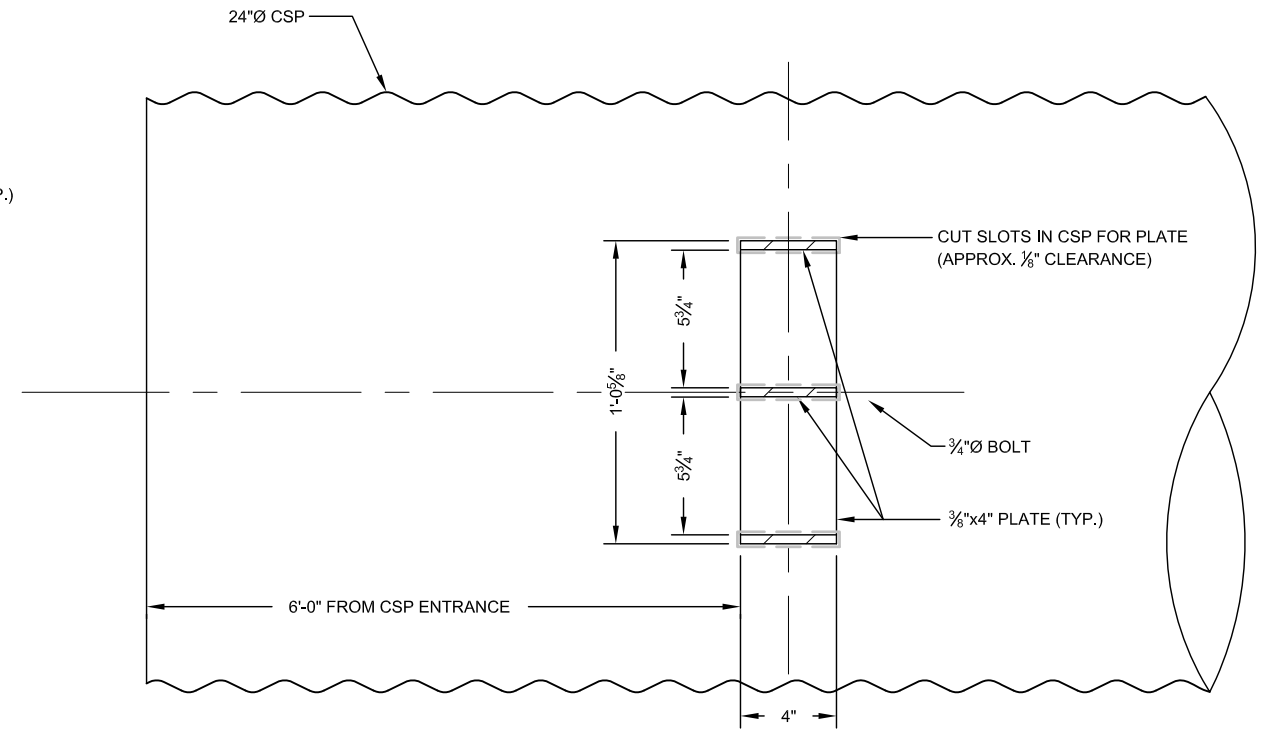


GENERAL NOTES:

1. THE SHAPE AND DIMENSIONS SHOWN FOR THE EXISTING ADIT OPENINGS ARE APPROXIMATE. FIELD VERIFY ALL DIMENSIONS BEFORE FABRICATION.
2. STEEL PLATES SHALL BE WEATHERING STEEL. WELD ALL JOINTS. CONSTRUCT THE BAT GATE TO ELIMINATE SURFACES ON WHICH MOISTURE OR DEBRIS CAN BE TRAPPED.
3. THE CONTRACTOR HAS THE OPTION OF USING 8" STEEL PLATE WHERE 4" STEEL PLATE IS SHOWN IN THE DRAWING.
4. VERIFY THAT THE OPENINGS OF THE CSP ARE NOT OBSTRUCTED BY FILL OR ROCK.
5. POLYURETHANE CAN BE PLACED VERTICALLY INSTEAD OF SLOPED AS SHOWN IN THE DRAWING. IF PLACED VERTICALLY, USE 4'-0" AS AVERAGE THICKNESS OF PLUG.
6. PLACE ROCKS 6" THICK INTO ENTIRE OUTER SURFACE OF POLYURETHANE FOAM BEFORE IT CURES.
7. THE FINISH GRADE ON THE OUTSIDE OF THE CULVERT SHALL HAVE POSITIVE DRAINAGE AWAY FROM THE STRUCTURE.



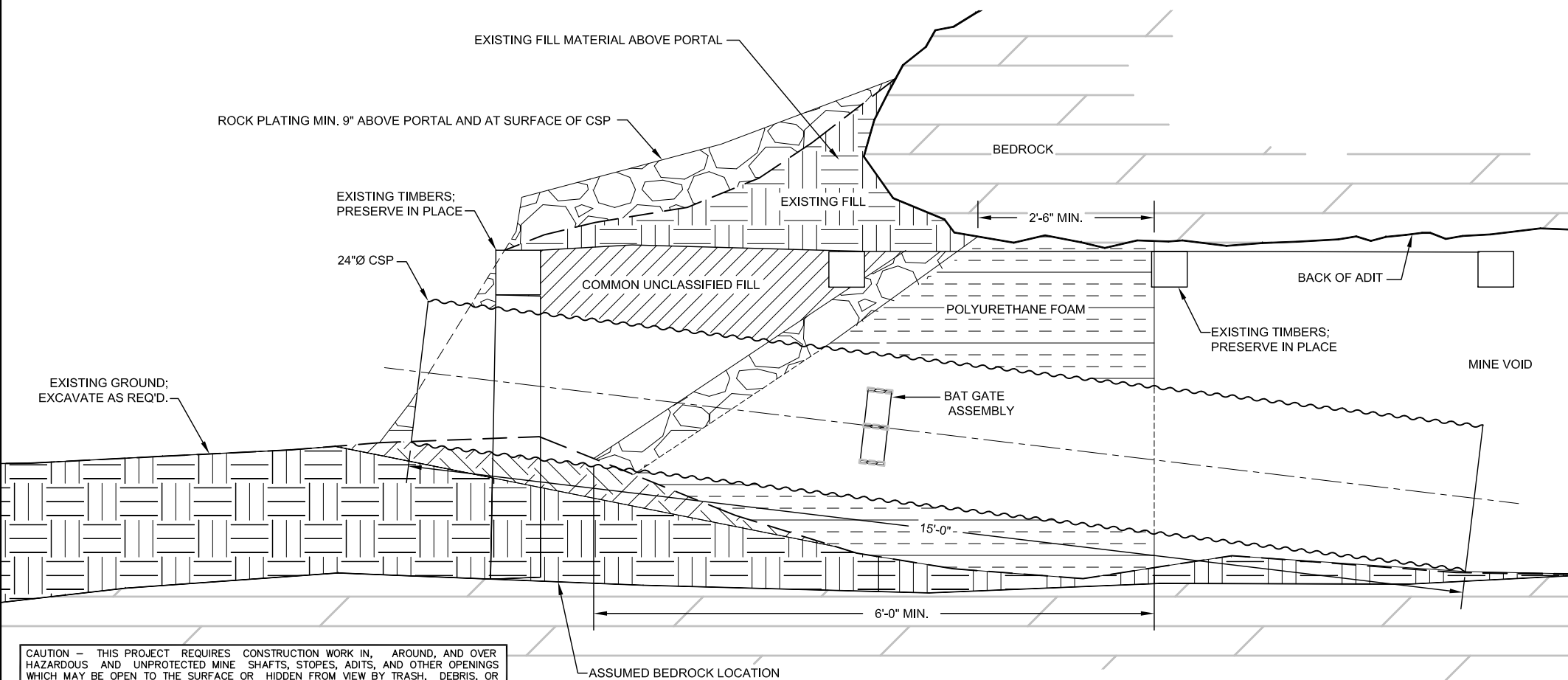
ELEVATION



SECTION

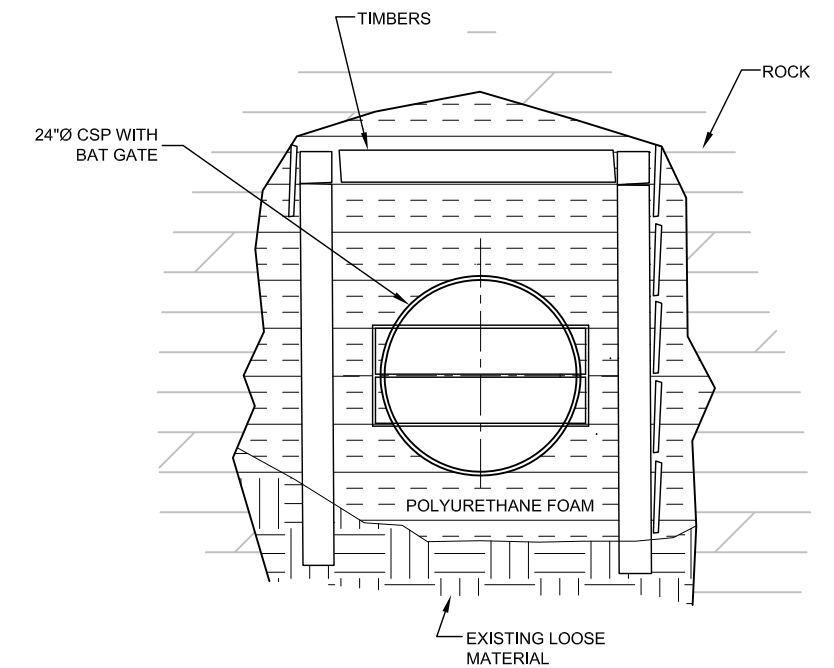
BAT GATE ASSEMBLY

SCALE: 1 1/2" = 1'-0"



PROFILE - CULVERT WITH BAT GATE

SCALE: 1/2" = 1'-0"



FRONT SECTION VIEW

SCALE: 1/2" = 1'-0"

CAUTION - THIS PROJECT REQUIRES CONSTRUCTION WORK IN, AROUND, AND OVER HAZARDOUS AND UNPROTECTED MINE SHAFTS, STOPES, ADITS, AND OTHER OPENINGS WHICH MAY BE OPEN TO THE SURFACE OR HIDDEN FROM VIEW BY TRASH, DEBRIS, OR THIN AND UNSTABLE LAYERS OF SURFACE MATERIALS OR ROCK. THE CONSTRUCTOR SHALL BE RESPONSIBLE FOR THOROUGHLY INVESTIGATING THE SITE CONDITIONS AND SCHEDULING EQUIPMENT, EQUIPMENT OPERATIONS, PERSONNEL AND SAFETY PROCEDURES TO PREVENT ACCIDENTS AND INJURIES.

ABANDONED MINE LAND PROGRAM MINING AND MINERALS DIVISION NEW MEXICO ENERGY, MINERALS, AND NATURAL RESOURCES DEPARTMENT			
SCALE: AS SHOWN DATE: 2/12/2013	MAIN ADIT	DRAWN BY: MWT REVISED BY:	
CULVERT WITH BAT GATE			FIGURE: 2
FILE:	OSCURA MAINTENANCE MINE SAFEGUARD PROJECT		