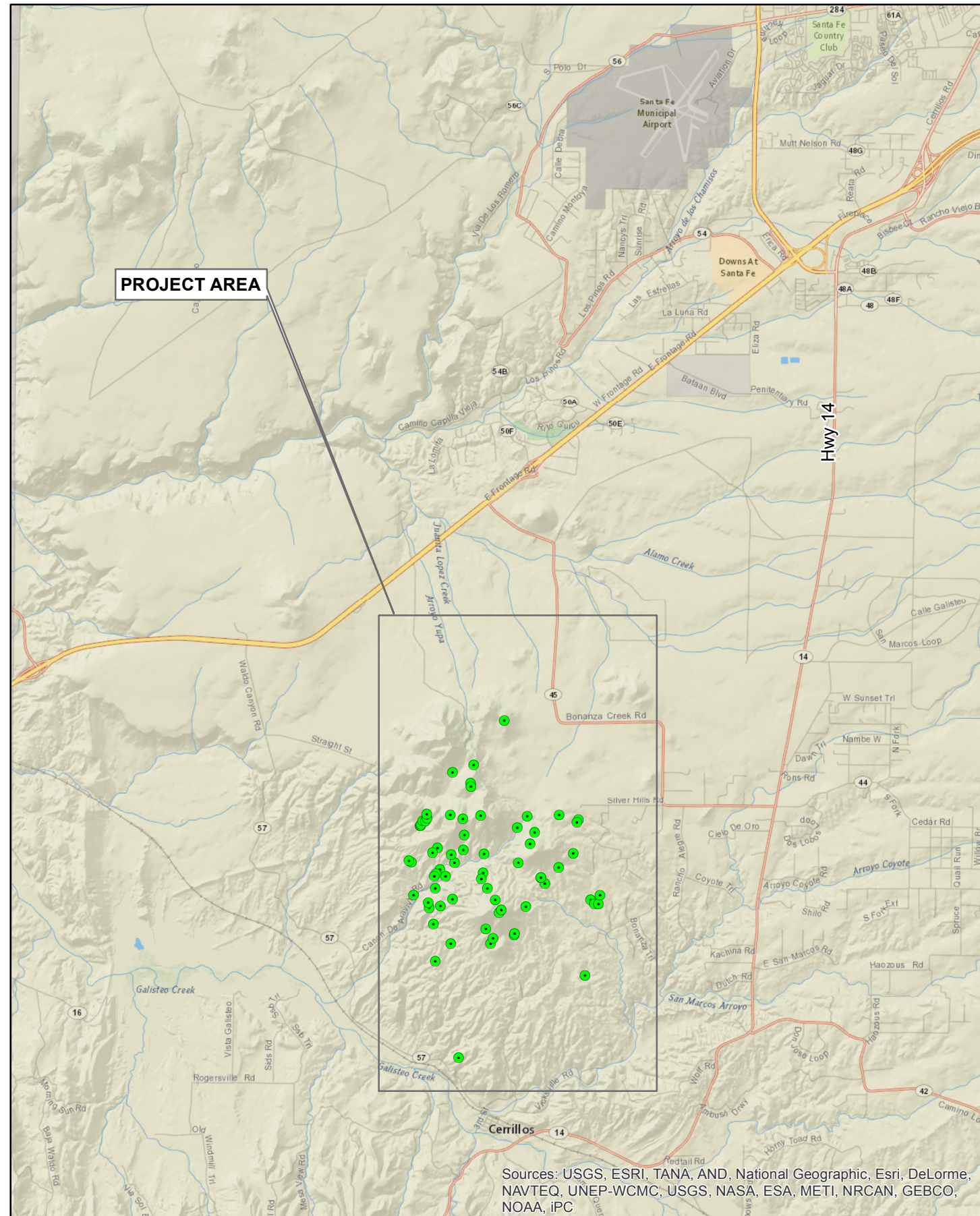
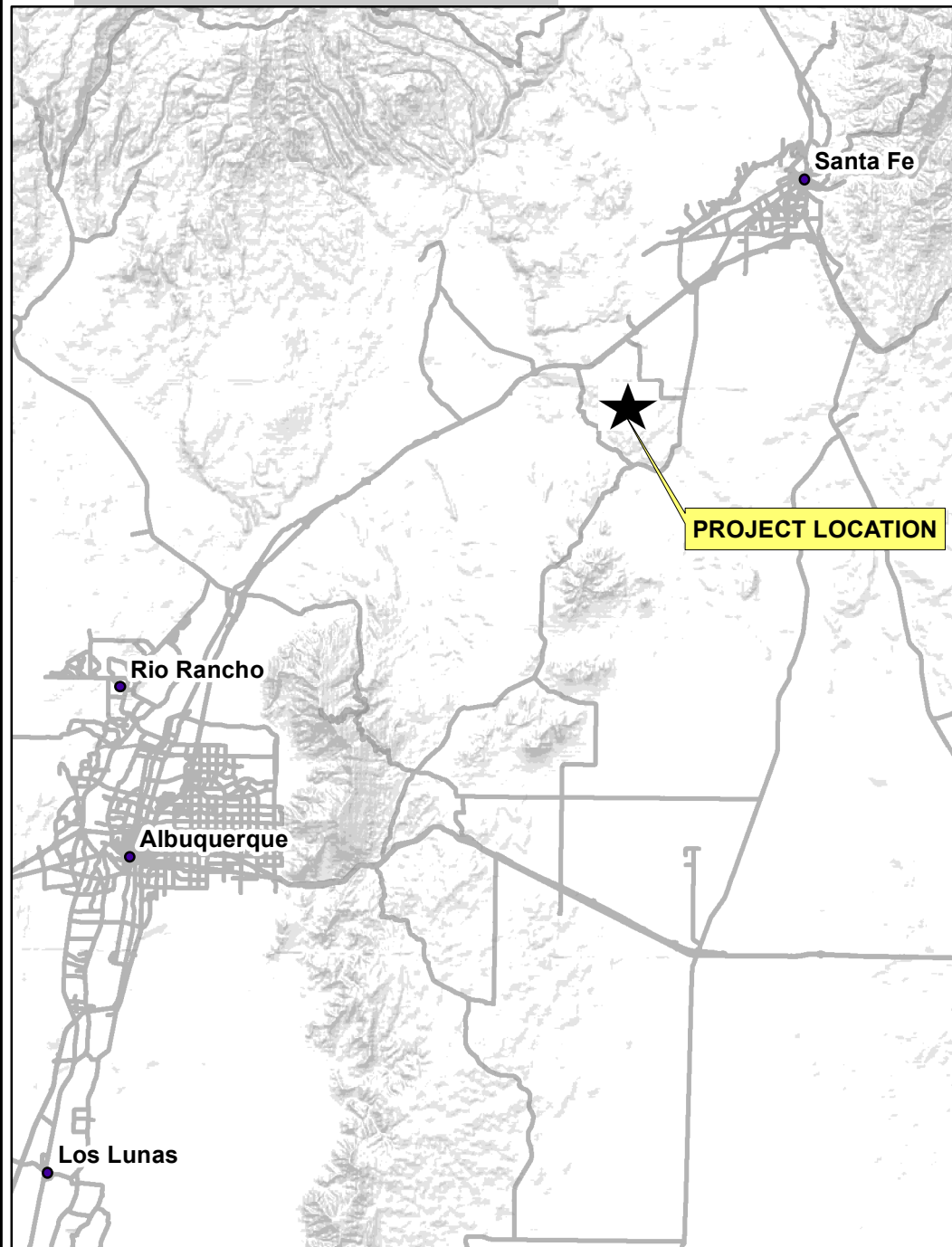
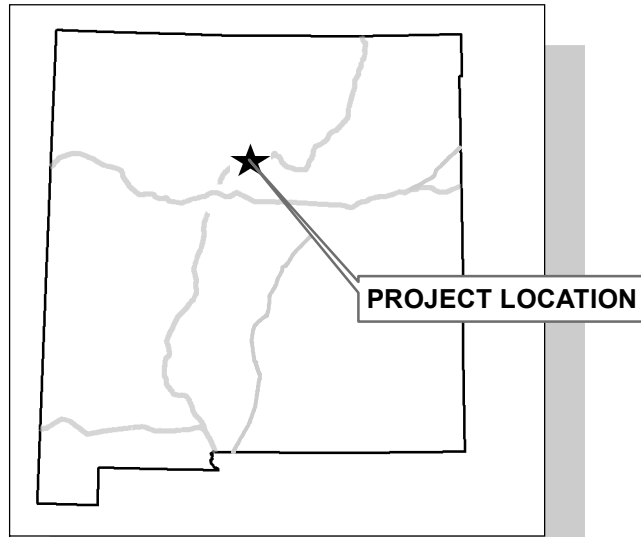


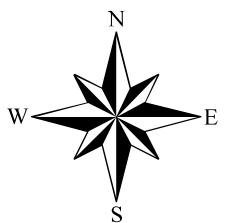
CERRILLOS CENTRAL/BONANZA CREEK MINE SAFEGUARD PROJECT - PHASE III

CERRILLOS, NEW MEXICO
PROJECT LOCATION



INDEX OF FIGURES:

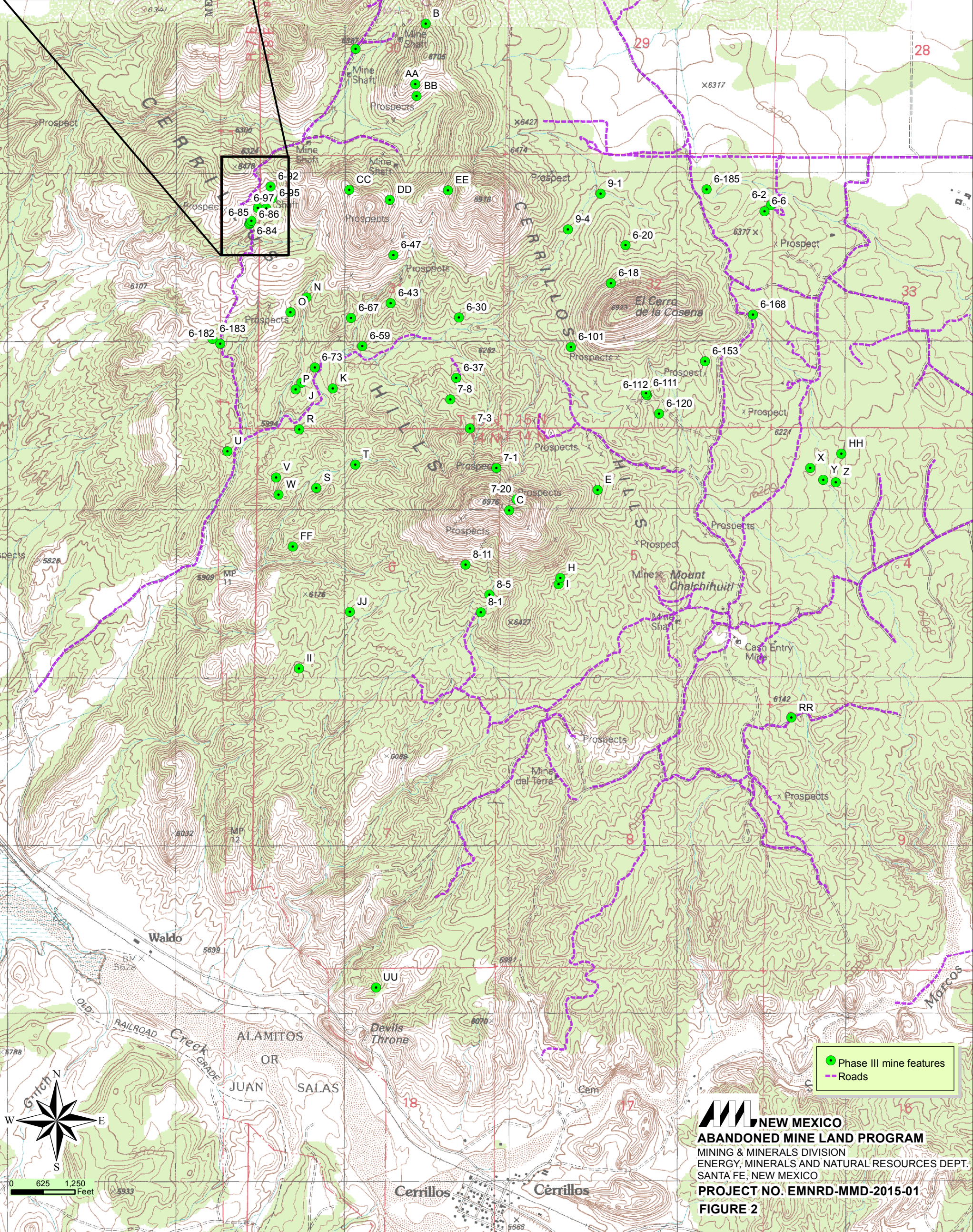
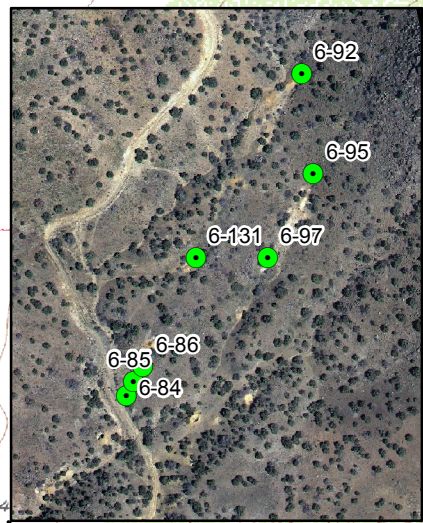
1. TITLE SHEET
2. SITE LOCATION MAP
3. FEATURE 6-30 - CUPOLA CLOSURE
4. FEATURE 6-30 - CUPOLA DETAILS
5. FEATURE 6-37 - CUPOLA CLOSURE
6. FEATURE 6-37 - CUPOLA DETAILS
7. FEATURE 6-92 - CULVERT WITH BAT GATE
8. FEATURE 7-20 - CULVERT WITH BAT GATE
9. FEATURE 8-11 - CULVERT WITH BAT GATE
10. REMOVABLE CROSSBAR LOCK DETAIL
11. SWINGING HINGED HATCH DETAILS
12. POLYURETHANE FOAM PLUG CLOSURE
13. STEEL MESH CLOSURE
14. WELDED WIRE FENCE DETAILS
15. METAL PICKET FENCE DETAILS
16. TYPICAL SHAFT BACKFILL DESIGN
17. TYPICAL ADIT BACKFILL DESIGN

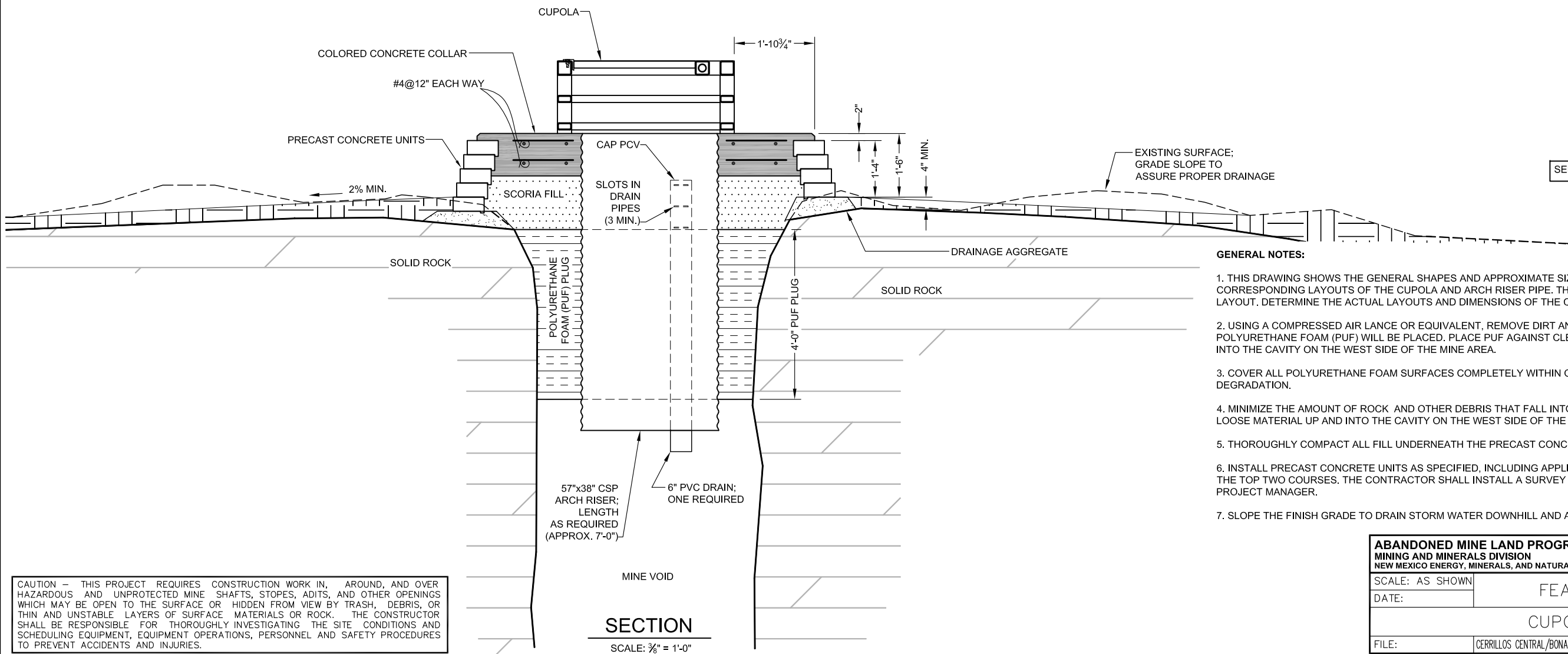
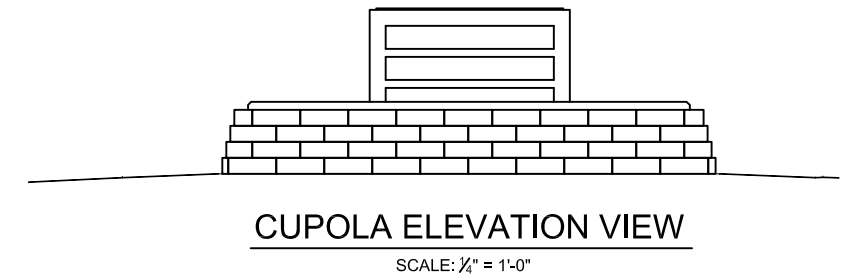
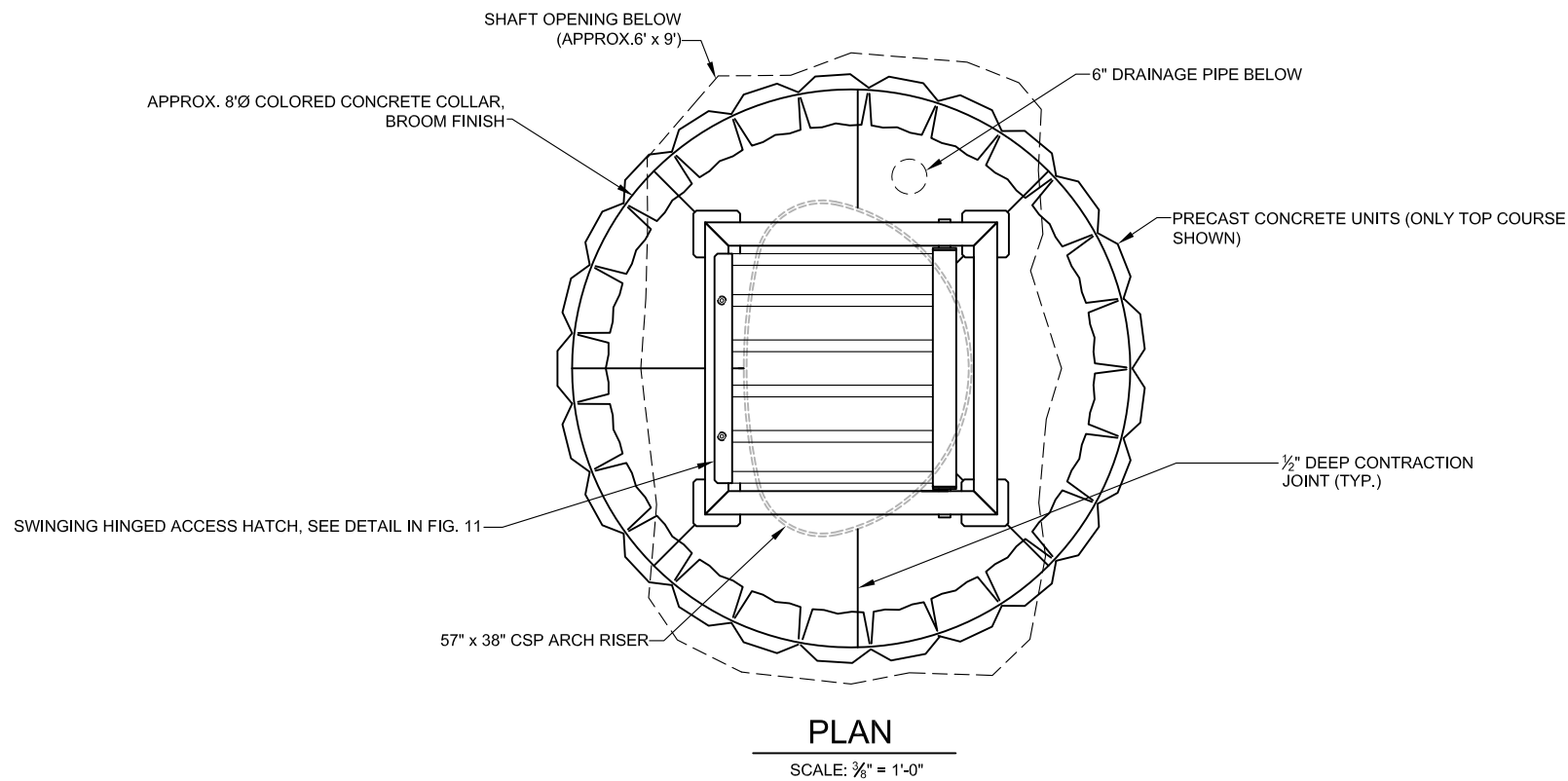


Sources: USGS, ESRI, TANA, AND, National Geographic, Esri, DeLorme, NAVTEQ, UNEP-WCMC, USGS, NASA, ESA, METI, NRCAN, GEBCO, NOAA, IPC

NEW MEXICO
ABANDONED MINE LAND PROGRAM
MINING & MINERALS DIVISION
ENERGY, MINERALS AND NATURAL RESOURCES DEPT.
SANTA FE, NEW MEXICO
PROJECT NO. EMNRD-MMD-2015-01

Phase III Mine Locations





GENERAL NOTES:

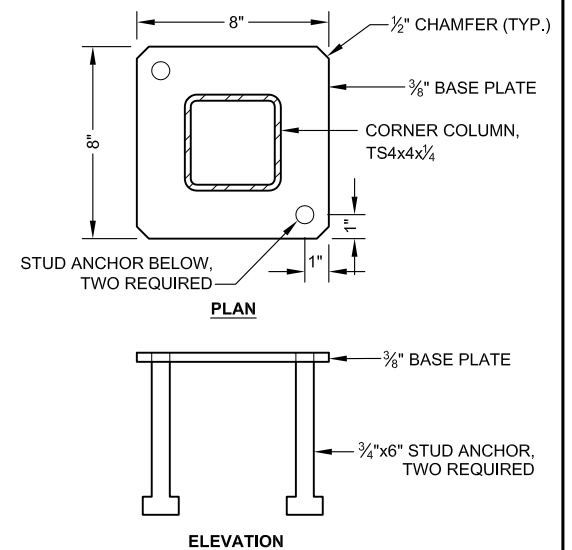
1. THIS DRAWING SHOWS THE GENERAL SHAPES AND APPROXIMATE SIZES OF THE MINE OPENINGS AND THE CORRESPONDING LAYOUTS OF THE CUPOLA AND ARCH RISER PIPE. THE DRAWING SHALL BE USED AS A GUIDE FOR FIELD LAYOUT. DETERMINE THE ACTUAL LAYOUTS AND DIMENSIONS OF THE CLOSURES IN THE FIELD PRIOR TO FABRICATION.
2. USING A COMPRESSED AIR LANCE OR EQUIVALENT, REMOVE DIRT AND LOOSE ROCK FROM ALL SURFACES AGAINST WHICH POLYURETHANE FOAM (PUF) WILL BE PLACED. PLACE PUF AGAINST CLEAN, DRY SURFACES. PULL LOOSE MATERIAL UP AND INTO THE CAVITY ON THE WEST SIDE OF THE MINE AREA.
3. COVER ALL POLYURETHANE FOAM SURFACES COMPLETELY WITHIN ONE HOUR OF INSTALLATION TO PREVENT UV DEGRADATION.
4. MINIMIZE THE AMOUNT OF ROCK AND OTHER DEBRIS THAT FALL INTO THE MINE OPENINGS DURING CONSTRUCTION. PULL LOOSE MATERIAL UP AND INTO THE CAVITY ON THE WEST SIDE OF THE MINE AREA.
5. THOROUGHLY COMPACT ALL FILL UNDERNEATH THE PRECAST CONCRETE MASONRY UNITS AND CONCRETE COLLAR.
6. INSTALL PRECAST CONCRETE UNITS AS SPECIFIED, INCLUDING APPLICATION OF SPECIFIED CONSTRUCTION ADHESIVE AT THE TOP TWO COURSES. THE CONTRACTOR SHALL INSTALL A SURVEY CAP INTO THE CONCRETE AS DIRECTED BY THE PROJECT MANAGER.
7. SLOPE THE FINISH GRADE TO DRAIN STORM WATER DOWNHILL AND AWAY FROM THE COLLAR.

CAUTION - THIS PROJECT REQUIRES CONSTRUCTION WORK IN, AROUND, AND OVER HAZARDOUS AND UNPROTECTED MINE SHAFTS, STOPES, ADITS, AND OTHER OPENINGS WHICH MAY BE OPEN TO THE SURFACE OR HIDDEN FROM VIEW BY TRASH, DEBRIS, OR THIN AND UNSTABLE LAYERS OF SURFACE MATERIALS OR ROCK. THE CONSTRUCTOR SHALL BE RESPONSIBLE FOR THOROUGHLY INVESTIGATING THE SITE CONDITIONS AND SCHEDULING EQUIPMENT, EQUIPMENT OPERATIONS, PERSONNEL AND SAFETY PROCEDURES TO PREVENT ACCIDENTS AND INJURIES.

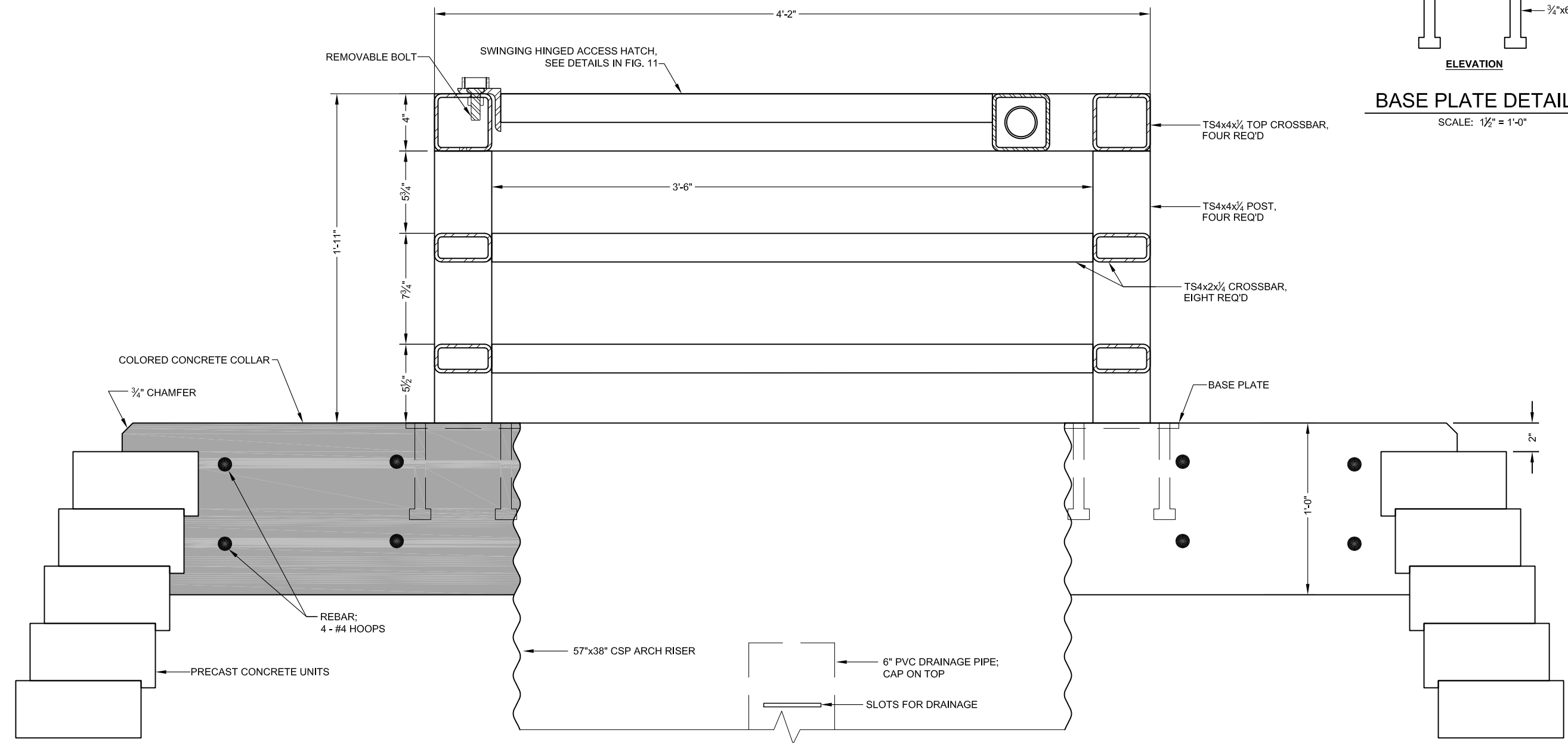
ABANDONED MINE LAND PROGRAM			
MINING AND MINERALS DIVISION NEW MEXICO ENERGY, MINERALS, AND NATURAL RESOURCES DEPARTMENT			
SCALE: AS SHOWN	FEATURE 6-30	DRAWN BY: MWT	
DATE:		REVISED BY:	
CUPOLA CLOSURE			
FILE:	CERRILLOS CENTRAL/BONANZA CREEK MINE SAFEGUARD PROJECT - PH. III	FIGURE: 3	

GENERAL NOTES:

1. STEEL PLATES, SHAPES AND BARS SHALL BE WEATHERING STEEL. WELD ALL JOINTS. CONSTRUCT THE CUPOLA AND HATCH ASSEMBLY TO ELIMINATE SURFACES ON WHICH MOISTURE OR DEBRIS CAN BE TRAPPED. PLIES OF MATERIAL SHALL BE TIGHT TO PREVENT THE INCURSION OF MOISTURE. ALL TUBULAR MEMBERS SHALL BE HERMETICALLY SEALED TO PREVENT THE INCURSION OF MOISTURE, EXCEPT AS OTHERWISE NOTED. ROUND OR CHAMFER ALL EXPOSED SHARP CORNERS AND EDGES.
2. AS AN ALTERNATIVE TO THE DRAINAGE PIPE, THE CONTRACTOR MAY OPT TO DRILL FOUR 1/4"-Ø DRAINAGE HOLES IN THE CSP DIRECTLY ABOVE THE TOP LEVEL OF POLYURETHANE FOAM AND THOROUGHLY COAT WITH A ZINC-RICH PAINT.
3. THE CONTRACTOR SHALL INSTALL THE SURVEY CAP INTO THE CONCRETE AS DIRECTED BY THE PROJECT MANAGER.



BASE PLATE DETAIL
SCALE: 1 1/2" = 1'-0"



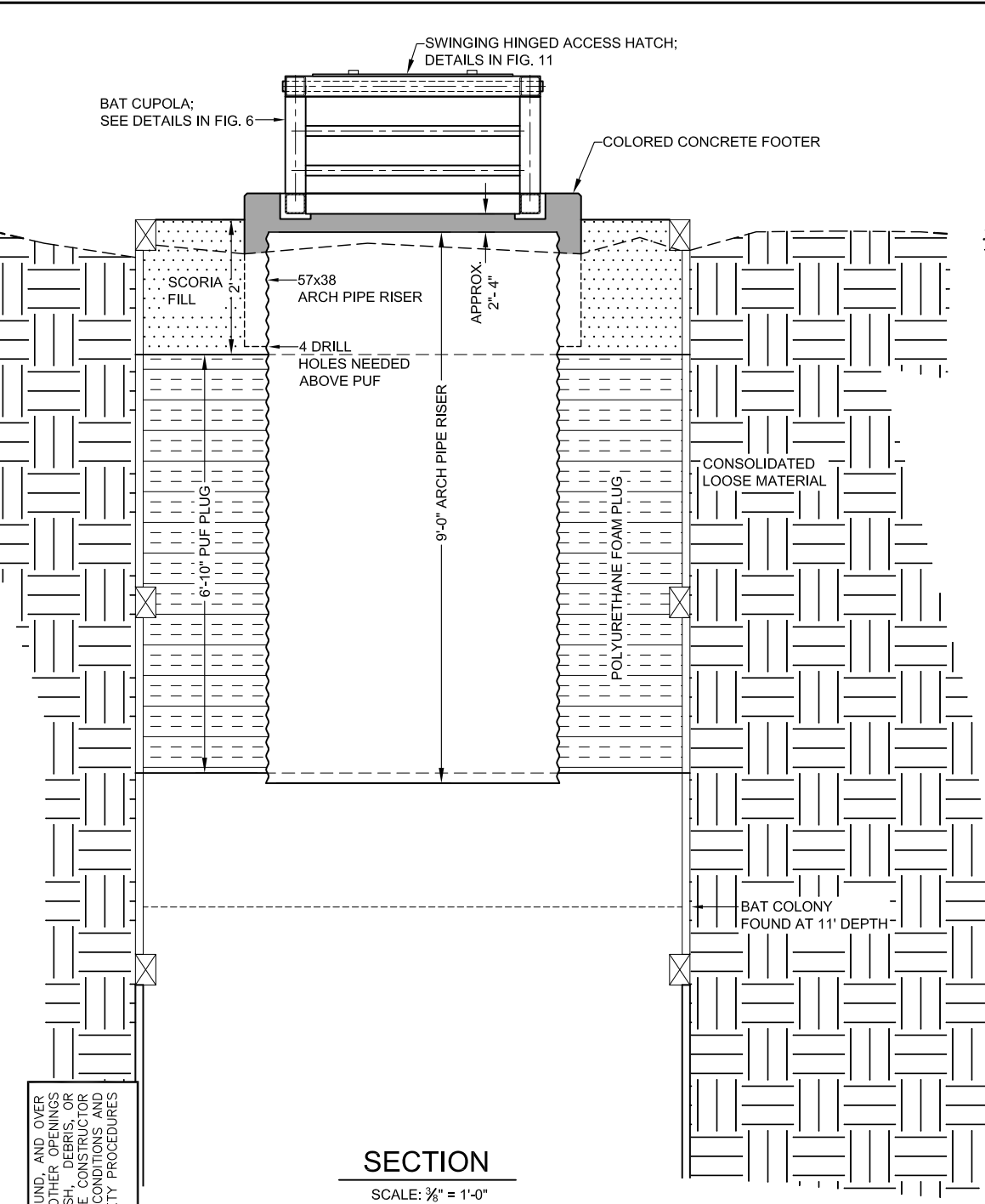
TYPICAL SECTION OF CUPOLA

SCALE: 1 1/2" = 1'-0"

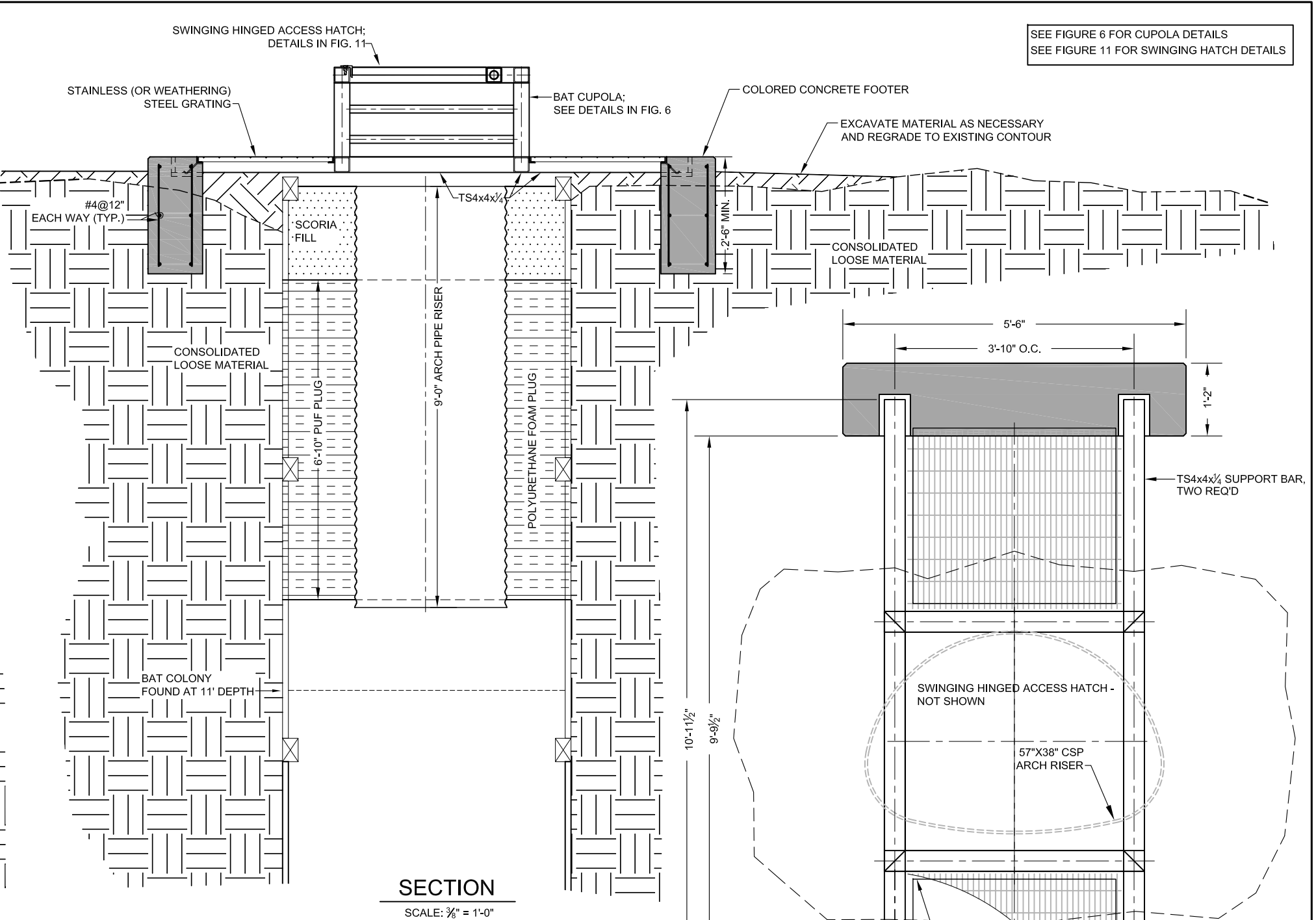
CAUTION - THIS PROJECT REQUIRES CONSTRUCTION WORK IN, AROUND, AND OVER EXISTING STRUCTURES. THE CONSTRUCTION OF THIS STRUCTURE MAY BE NEAR OR OVER EXISTING UTILITIES, WHICH MAY BE OPEN TO THE SURFACE OR HIDDEN FROM VIEW BY TRASH, DEBRIS, OR OTHER OBSTRUCTIONS. THE CONTRACTOR SHALL BE RESPONSIBLE FOR IDENTIFYING AND MARKING ALL UTILITIES AND SHALL TAKE APPROPRIATE PRECAUTIONS TO PREVENT ACCIDENTS AND INJURIES.

ABANDONED MINE LAND PROGRAM MINING AND MINERALS DIVISION NEW MEXICO ENERGY, MINERALS, AND NATURAL RESOURCES DEPARTMENT		
SCALE: AS SHOWN	FEATURE 6-30	DRAWN BY: MWT
DATE:		REVISED BY:
CUPOLA DETAILS		
FILE:	CERRILLOS CENT./BONANZA CREEK MINE SAFEGUARD PROJECT Ph. III	FIGURE: 4

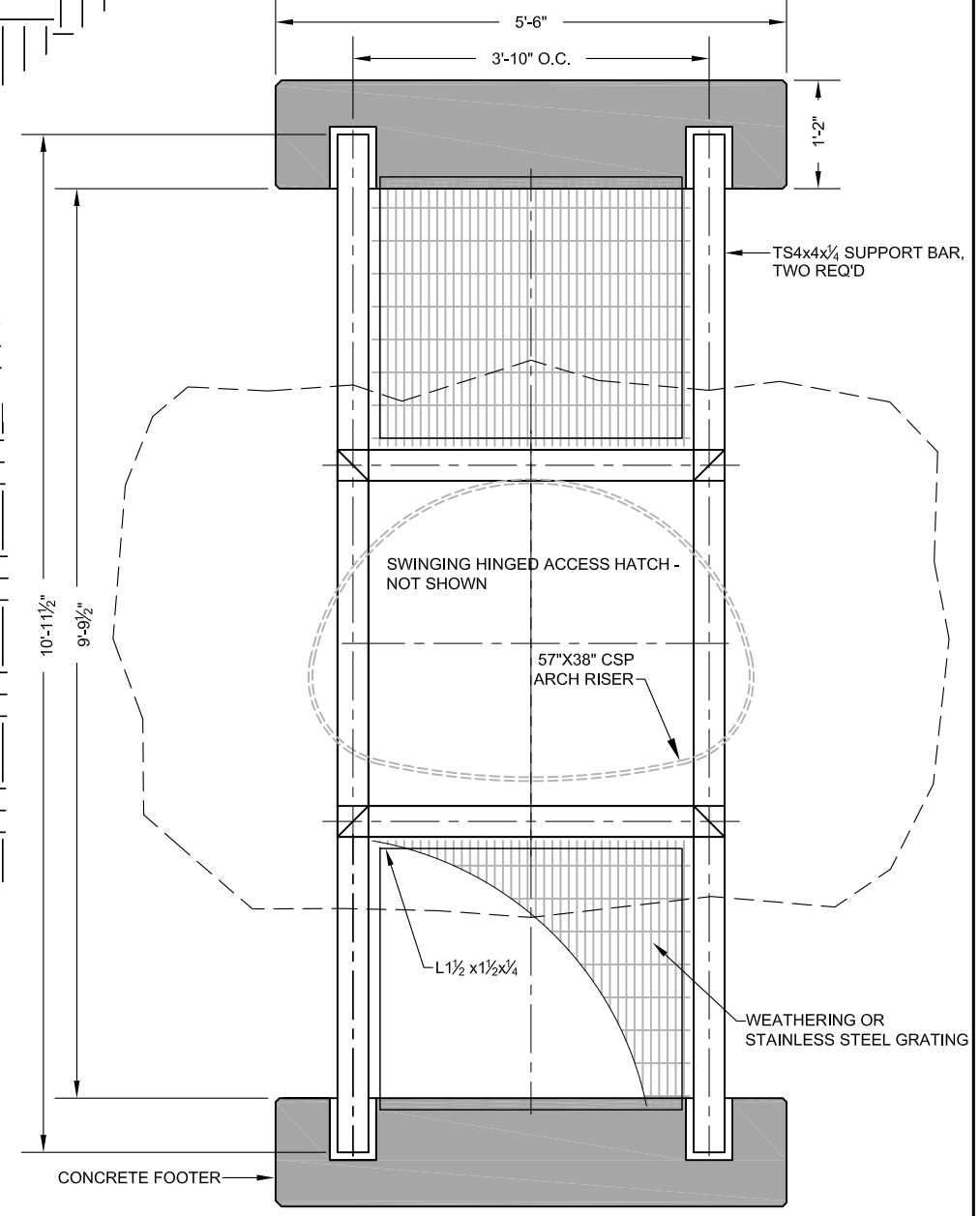
SEE FIGURE 6 FOR CUPOLA DETAILS
SEE FIGURE 11 FOR SWINGING HATCH DETAILS



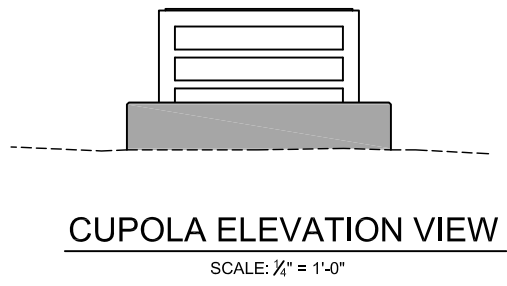
SECTION
SCALE: 3/8" = 1'-0"



SECTION
SCALE: 3/8" = 1'-0"



PLAN VIEW
SCALE: 1/2" = 1'-0"



CUPOLA ELEVATION VIEW
SCALE: 1/4" = 1'-0"

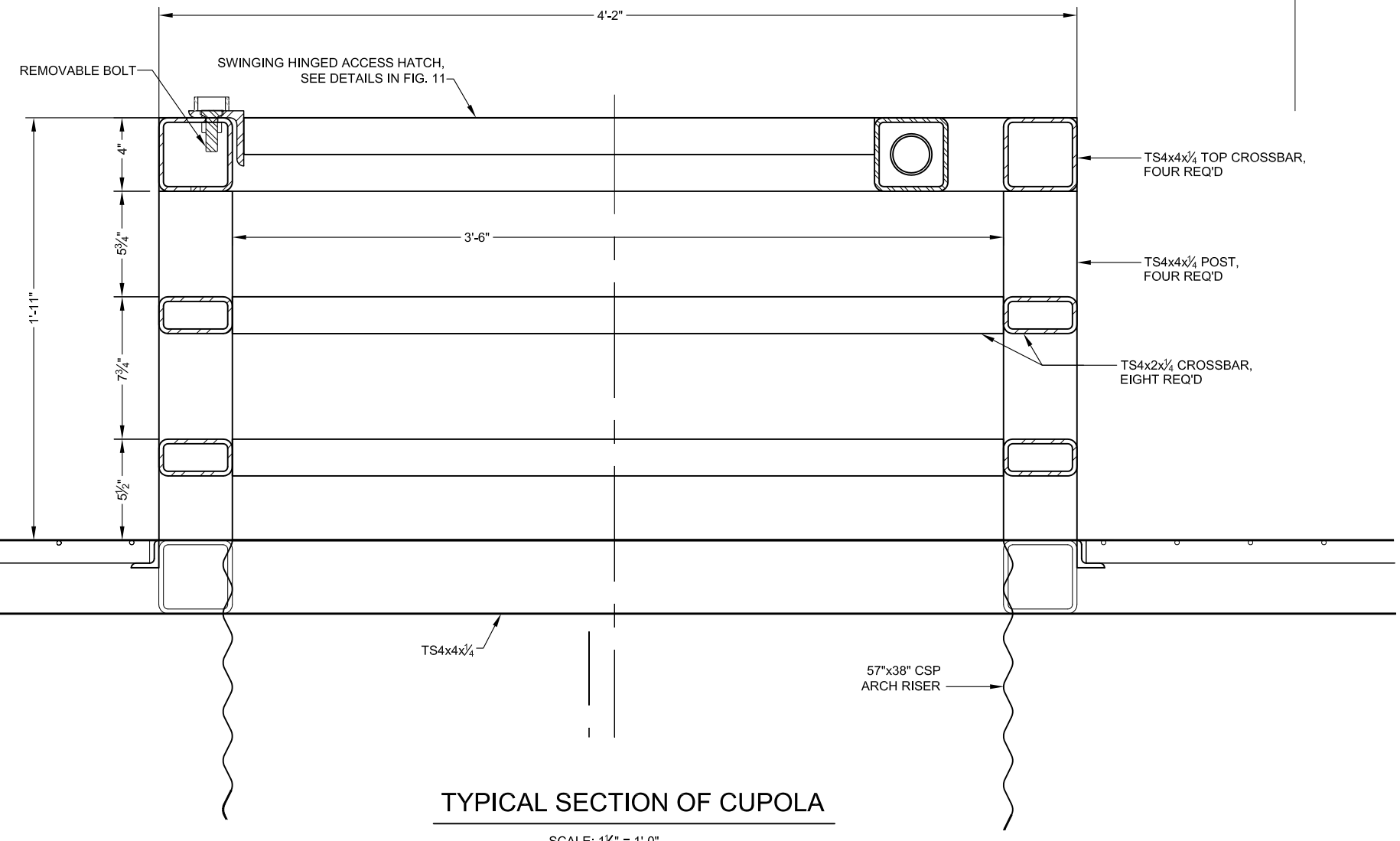
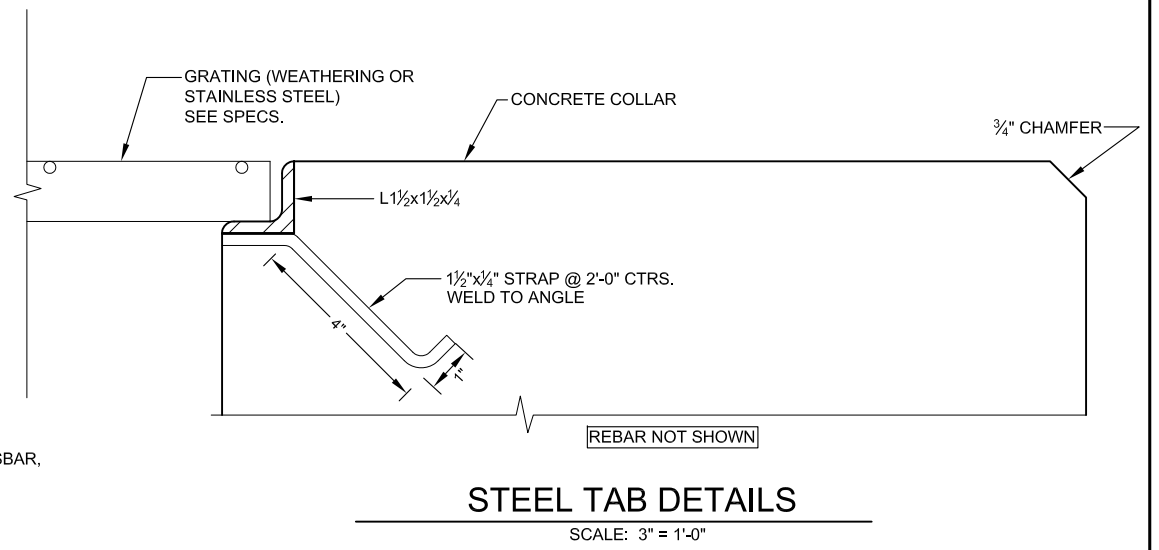
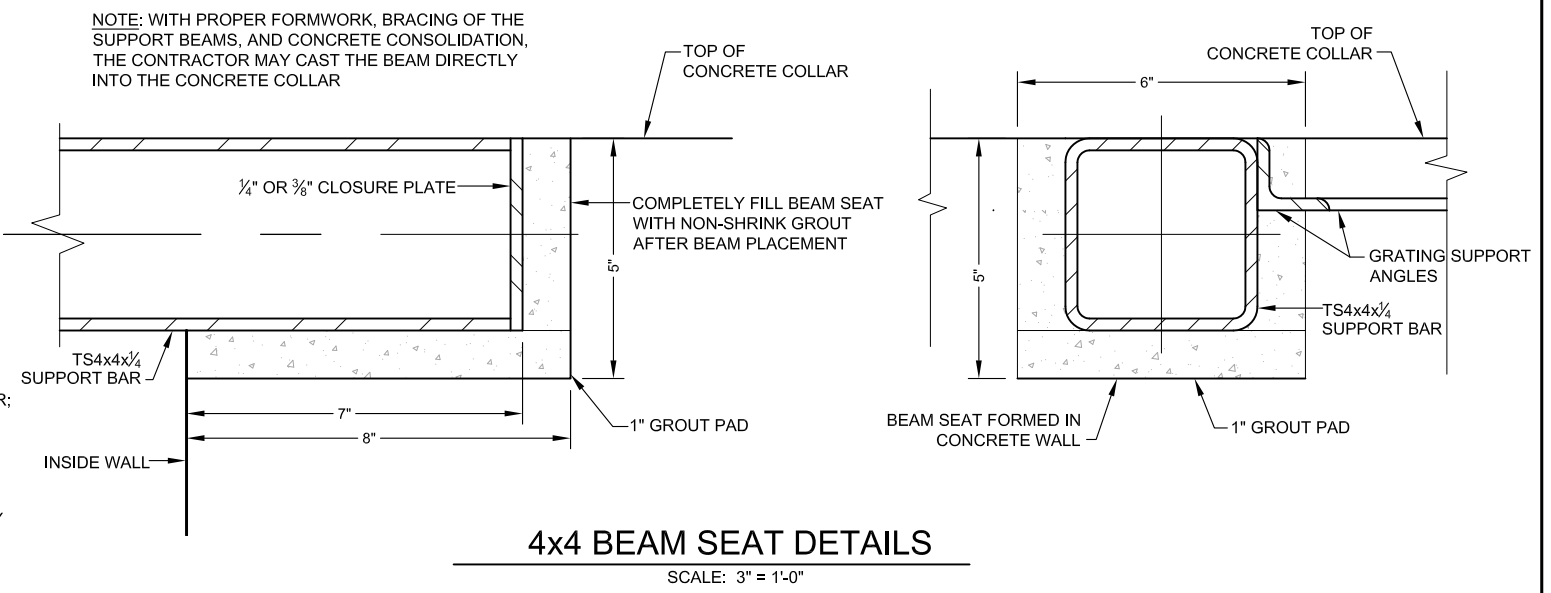
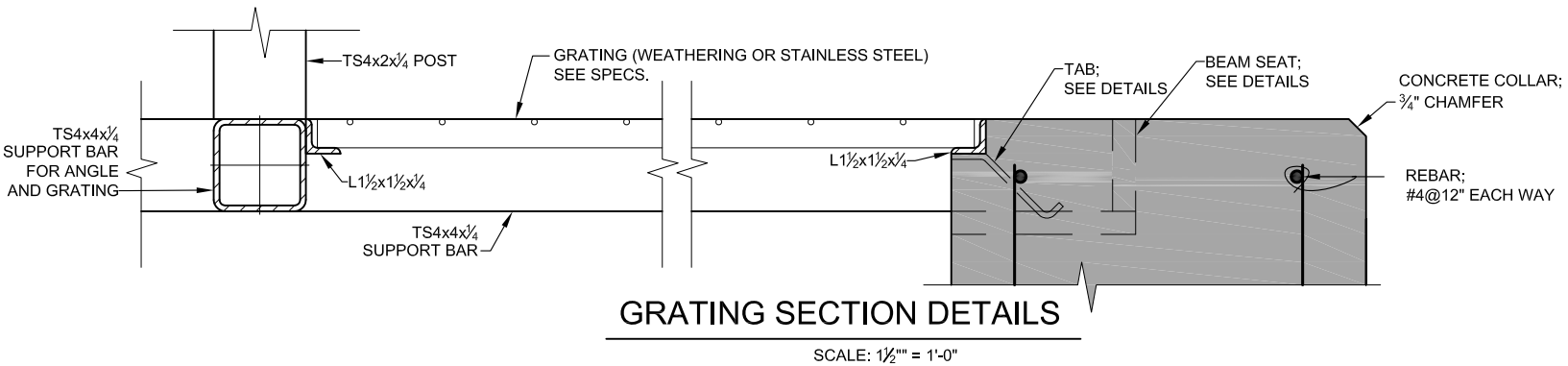
CAUTION - THIS PROJECT REQUIRES CONSTRUCTION WORK IN, AROUND, AND OVER HAZARDOUS AND UNPROTECTED MINE SHAFTS, STOPS, ADITS, AND OTHER OPENINGS WHICH MAY BE OPEN TO THE SURFACE OR HIDDEN FROM VIEW BY TRASH, DEBRIS, OR THIN AND UNSTABLE LAYERS OF SURFACE MATERIALS OR ROCK. THE CONSTRUCTOR SHALL BE RESPONSIBLE FOR THOROUGHLY INVESTIGATING THE SITE CONDITIONS AND SCHEDULING EQUIPMENT, PERSONNEL, AND SAFETY PROCEDURES TO PREVENT ACCIDENTS AND INJURIES.

GENERAL NOTES:

1. THIS DRAWING SHOWS THE GENERAL SHAPES AND APPROXIMATE SIZES OF THE MINE OPENINGS AND THE CORRESPONDING LAYOUTS OF THE CUPOLA AND ARCH RISER PIPE. THE DRAWING SHALL BE USED AS A GUIDE FOR FIELD LAYOUT. DETERMINE THE ACTUAL LAYOUTS AND DIMENSIONS OF THE CLOSURES IN THE FIELD PRIOR TO FABRICATION.
2. TUBULAR STEEL, STEEL SHAPES, PLATES, AND BARS SHALL BE WEATHERING STEEL AS SPECIFIED. WELD ALL JOINTS. TOLERANCES ON THE CENTER-TO-CENTER DIMENSIONS BETWEEN CROSSBARS IS ±1/16 INCH.
3. CONSTRUCT AND WELD THE CLOSURE TO ELIMINATE SURFACES ON WHICH MOISTURE ACCUMULATION CAN OCCUR. JOINTS SHALL BE TIGHT SO THAT MOISTURE CANNOT ENTER BETWEEN THE PLYS OF MATERIAL.
4. COVER ALL POLYURETHANE FOAM SURFACES COMPLETELY WITHIN ONE HOUR OF INSTALLATION TO PREVENT UV DEGRADATION.
5. MINIMIZE THE AMOUNT OF ROCK AND OTHER DEBRIS THAT FALL INTO THE MINE OPENINGS DURING CONSTRUCTION. PULL LOOSE MATERIAL UP AND OUT ONTO THE WASTE PILE.
6. SLOPE THE FINISH GRADE TO DRAIN STORM WATER DOWNHILL AND AWAY FROM THE COLLAR.
7. SEE SPECIFICATION 05530 FOR STEEL GRATING DETAILS. ORIENT GRATING BEARING BARS TO SHORTEST DISTANCE BETWEEN SUPPORTS.
8. DRILL FOUR 1/4"Ø HOLES THROUGH THE CSPA JUST ABOVE THE PUF LEVEL TO FACILITATE DRAINAGE. FULLY PAINT THE DRILLED AREAS WITH THE NATINA STAIN USED ON THE HORIZONTAL CULVERTS AT THE OTHER PROJECT LOCATIONS. NO SHARP EDGES SHALL BE LEFT IN PLACE.
9. PLACE SURVEY MARKER, PROVIDED BY THE PROJECT MANAGER, INTO THE CONCRETE FOOTING.

ABANDONED MINE LAND PROGRAM		
MINING AND MINERALS DIVISION		
NEW MEXICO ENERGY, MINERALS, AND NATURAL RESOURCES DEPARTMENT		
SCALE: AS SHOWN	FEATURE 6-37	DRAWN BY: MWT
DATE:		REVISED BY:
CUPOLA CLOSURE		
FILE:	CERRILLOS CENTRAL/BONANZA CREEK MINE SAFEGUARD PROJECT PH. III	FIGURE: 5

CAUTION - THIS PROJECT REQUIRES CONSTRUCTION WORK IN, AROUND, AND OVER EXISTING MINE OPENINGS. ALL WORK SHALL BE CONDUCTED IN ACCORDANCE WITH THE MINE SAFETY ACT AND ALL APPLICABLE REGULATIONS. THE CONTRACTOR SHALL BE RESPONSIBLE FOR IDENTIFYING AND MARKING ALL MINE OPENINGS AND PROVIDING ADEQUATE WARNING AND PROTECTIVE MEASURES. THE CONTRACTOR SHALL MAINTAIN CLEAR ACCESS TO ALL MINE OPENINGS AT ALL TIMES. THE CONTRACTOR SHALL BE RESPONSIBLE FOR OBTAINING ALL NECESSARY PERMITS AND APPROVALS. THE CONTRACTOR SHALL BE RESPONSIBLE FOR SCHEDULING EQUIPMENT, PERSONNEL, AND SAFETY PROCEDURES TO PREVENT ACCIDENTS AND INJURIES.



GENERAL NOTES:

1. THIS DRAWING SHOWS THE GENERAL SHAPES AND APPROXIMATE SIZES OF THE MINE OPENINGS AND THE CORRESPONDING LAYOUTS OF THE CUPOLA AND ARCH RISER PIPE. THE DRAWING SHALL BE USED AS A GUIDE FOR FIELD LAYOUT. DETERMINE THE ACTUAL LAYOUTS AND DIMENSIONS OF THE CLOSURES IN THE FIELD PRIOR TO FABRICATION.
2. TUBULAR STEEL, STEEL SHAPES, PLATES, AND BARS SHALL BE WEATHERING STEEL AS SPECIFIED. WELD ALL JOINTS. TOLERANCES ON THE CENTER-TO-CENTER DIMENSIONS BETWEEN CROSSBARS IS ±⅛ INCH.
3. CONSTRUCT AND WELD THE CLOSURE TO ELIMINATE SURFACES ON WHICH MOISTURE ACCUMULATION CAN OCCUR. JOINTS SHALL BE TIGHT SO THAT MOISTURE CANNOT ENTER BETWEEN THE PLIES OF MATERIAL.
4. COVER ALL POLYURETHANE FOAM SURFACES COMPLETELY WITHIN ONE HOUR OF INSTALLATION TO PREVENT UV DEGRADATION.
5. MINIMIZE THE AMOUNT OF ROCK AND OTHER DEBRIS THAT FALL INTO THE MINE OPENINGS DURING CONSTRUCTION. PULL LOOSE MATERIAL UP AND OUT ONTO THE WASTE PILE.
6. SLOPE THE FINISH GRADE TO DRAIN STORM WATER DOWNHILL AND AWAY FROM THE COLLAR.
7. SEE SPECIFICATION 05530 FOR STEEL GRATING DETAILS. ORIENT GRATING BEARING BARS TO SHORTEST DISTANCE BETWEEN SUPPORTS.
8. PLACE SURVEY MARKER, PROVIDED BY THE PROJECT MANAGER, INTO THE CONCRETE FOOTING.

ABANDONED MINE LAND PROGRAM		
MINING AND MINERALS DIVISION		
NEW MEXICO ENERGY, MINERALS, AND NATURAL RESOURCES DEPARTMENT		
SCALE: AS SHOWN	FEATURE 6-37	DRAWN BY: MWT
DATE:		REVISED BY:
CUPOLA DETAILS		
FILE:	CERRILLOS/BONANZA CREEK MINE SAFEGUARD PROJECT	FIGURE: 6

GENERAL NOTES:

1. THE SHAPE AND DIMENSIONS SHOWN FOR THE EXISTING ADIT OPENINGS ARE APPROXIMATE. FIELD VERIFY ALL DIMENSIONS BEFORE FABRICATION.

2. STEEL PLATES AND SHAPES SHALL BE WEATHERING STEEL. WELD ALL JOINTS. CONSTRUCT THE BAT GATE TO ELIMINATE SURFACES ON WHICH MOISTURE OR DEBRIS CAN BE TRAPPED. ALL TUBULAR MEMBERS SHALL BE HERMETICALLY SEALED TO PREVENT THE INCURSION OF MOISTURE, EXCEPT AS OTHERWISE NOTED. ROUND OR CHAMFER ALL EXPOSED SHARP CORNERS AND EDGES.

3. DOUBLE-NUT ALL BOLTS.

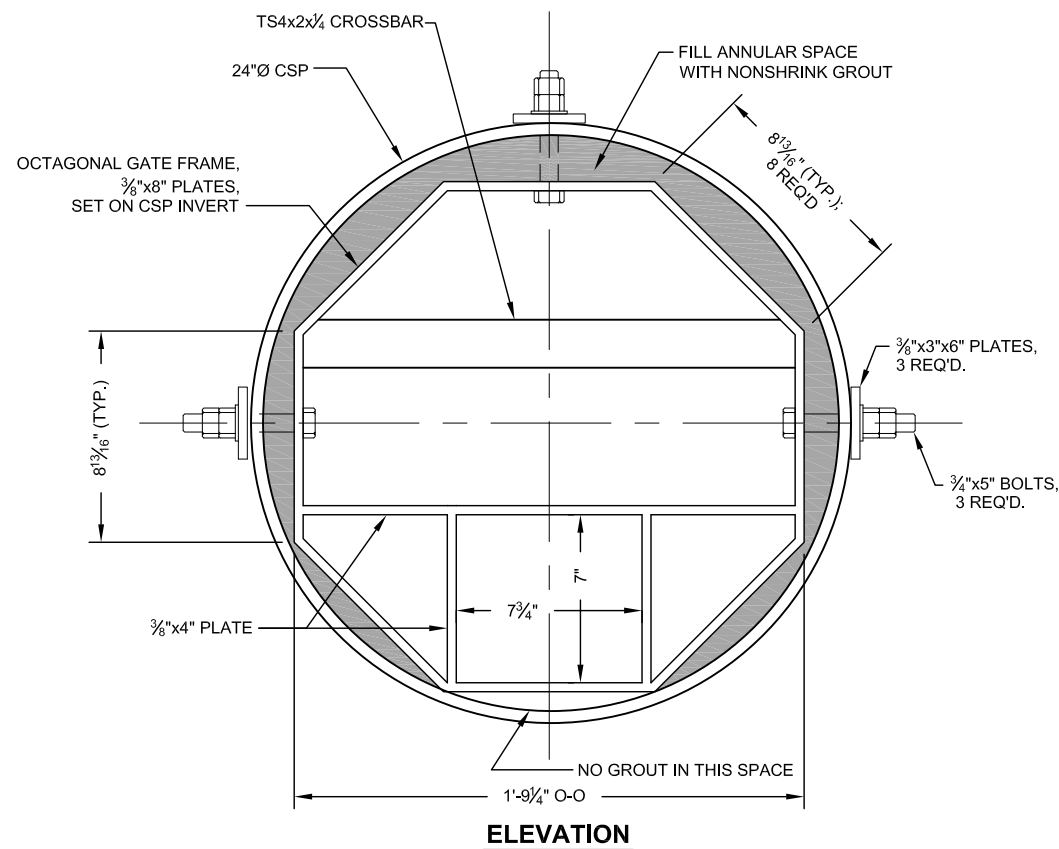
4. THE CONTRACTOR HAS THE OPTION OF USING 8" STEEL PLATE WHERE 4" STEEL PLATE IS SHOWN IN THE DRAWING.

5. VERIFY THAT THE OPENINGS OF THE CSP ARE NOT OBSTRUCTED BY FILL OR ROCK.

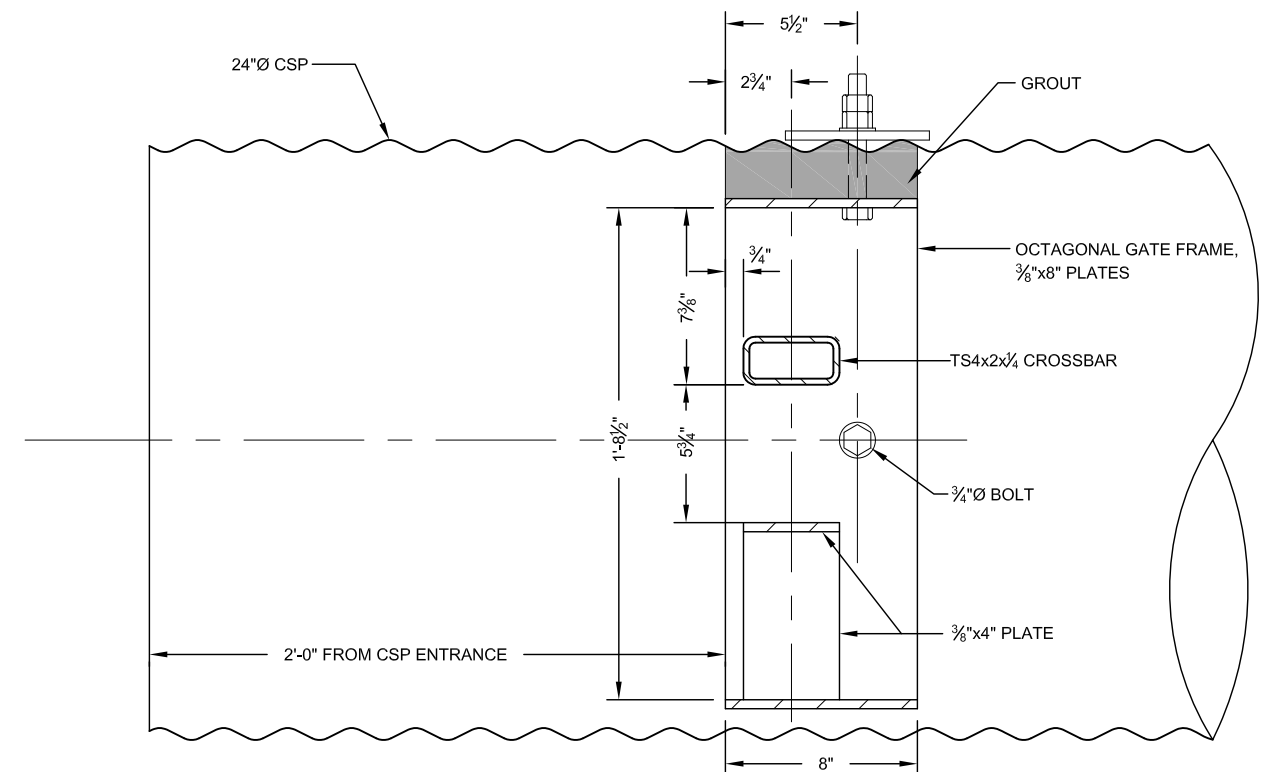
6. THE FINISH GRADE ON THE OUTSIDE OF THE CULVERT SHALL HAVE POSITIVE DRAINAGE AWAY FROM THE STRUCTURE.

7. PAINT VISIBLE PORTIONS OF CSP (INSIDE AND OUTSIDE) WITH NATINA STAIN OR APPROVED EQUIVALENT FOR CAMOUFLAGE. COLOR SHOULD BLEND IN WITH THE COVER ROCK AS DIRECTED BY THE PROJECT MANAGER.

8. PLACE A SURVEY MARKER IN COMPETENT ROCK AS SPECIFIED AND AS DIRECTED BY THE PROJECT MANAGER.



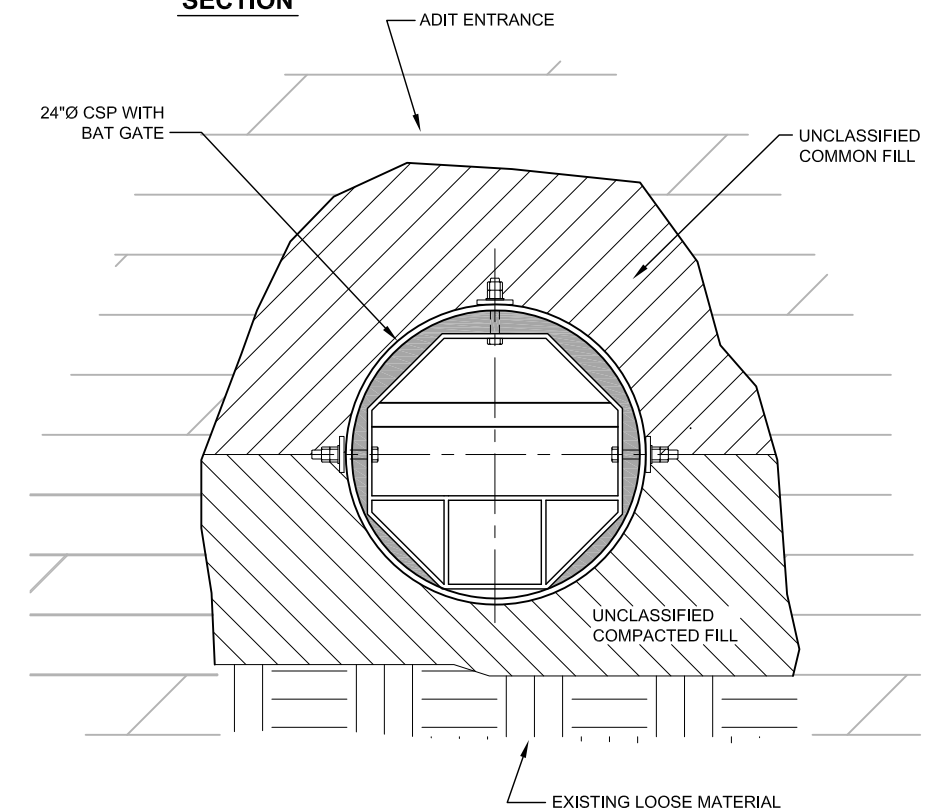
ELEVATION



SECTION

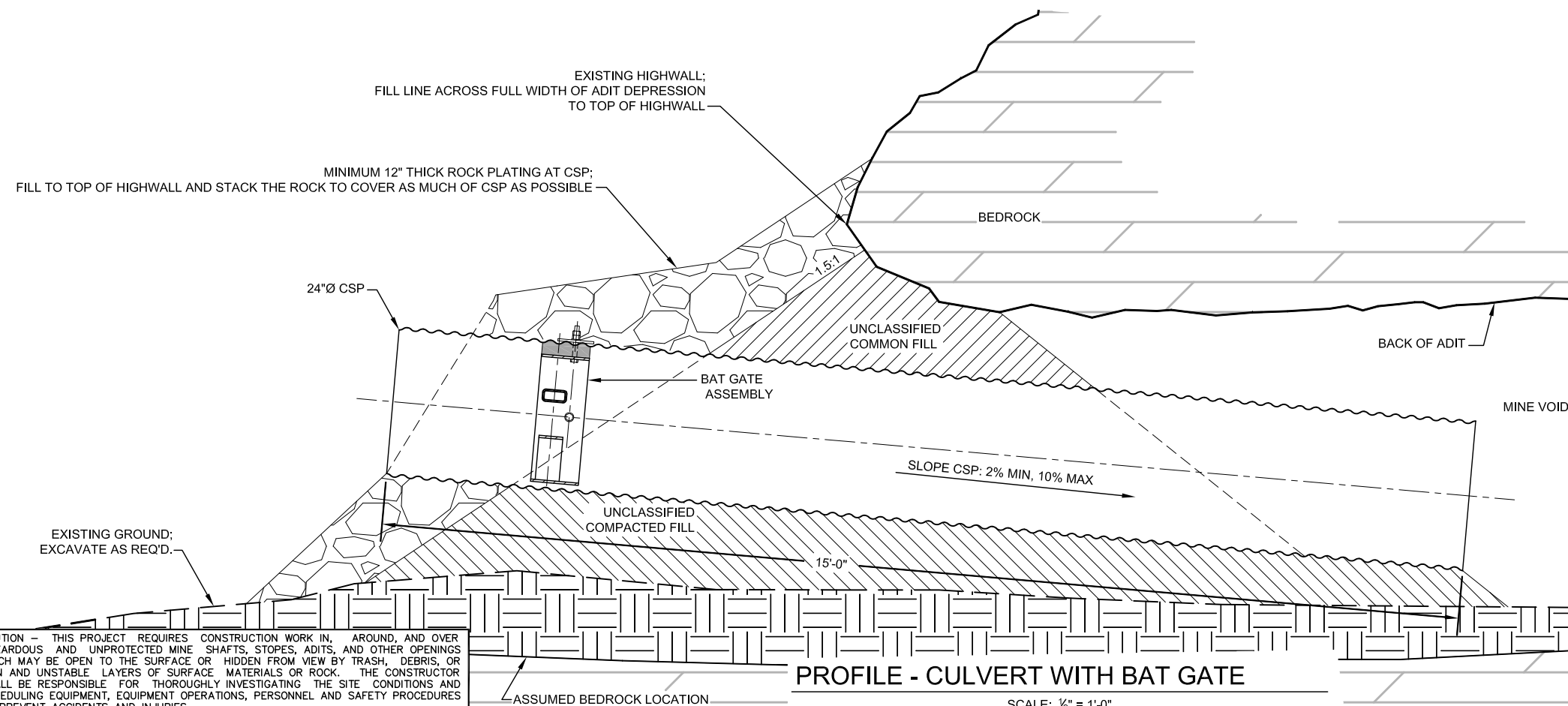
BAT GATE ASSEMBLY

SCALE: 1/2" = 1'-0"



FRONT SECTION VIEW

SCALE: 3/4" = 1'-0"

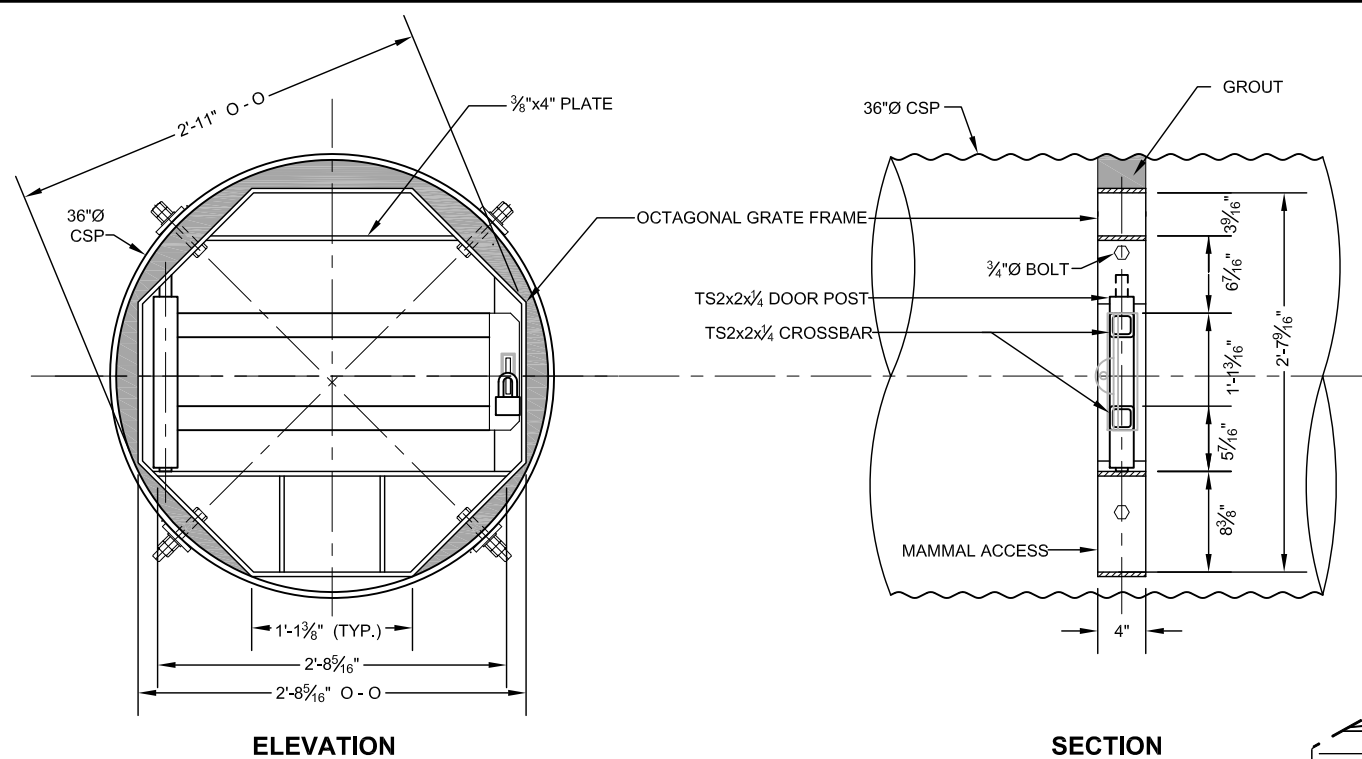


PROFILE - CULVERT WITH BAT GATE

SCALE: 1/2" = 1'-0"

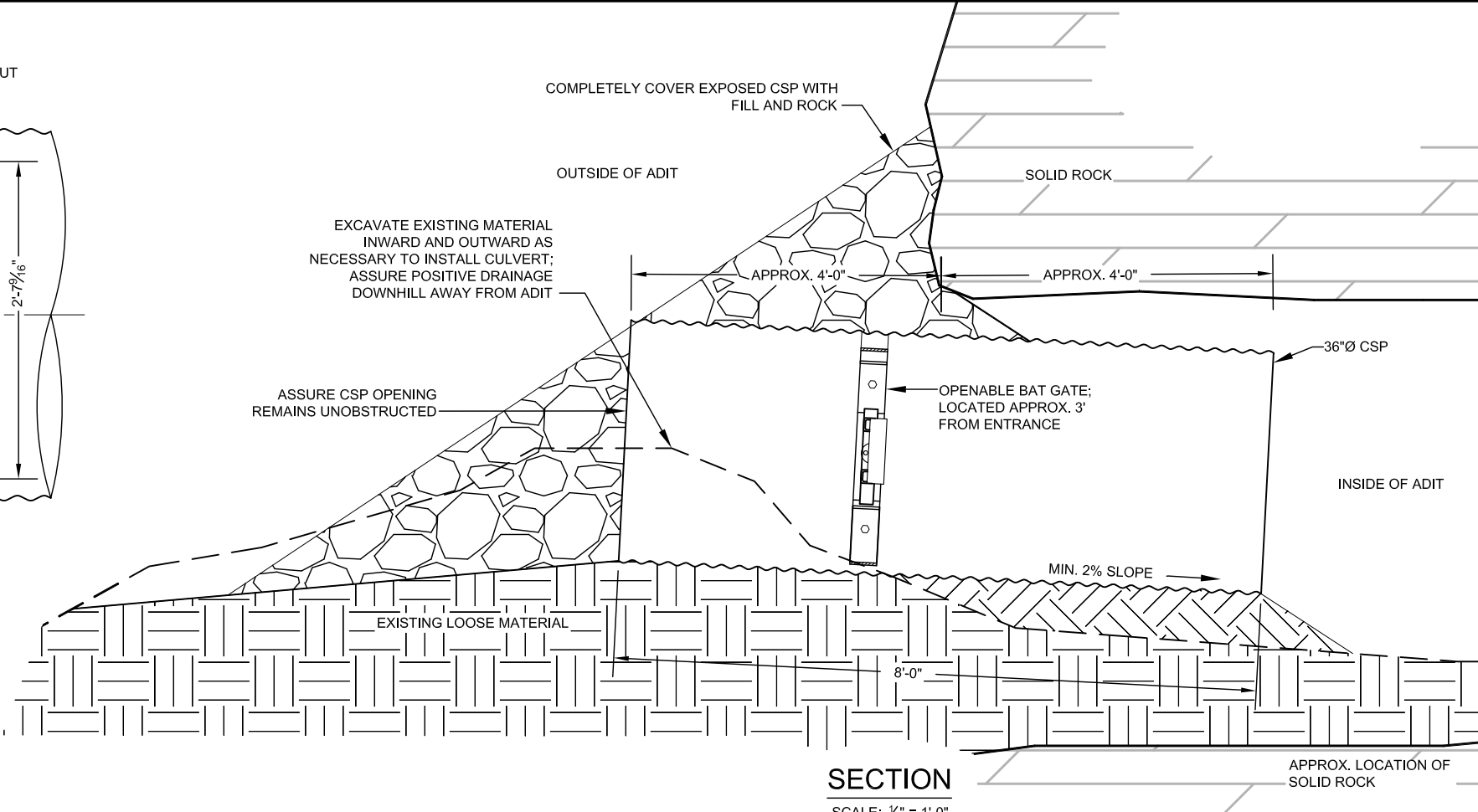
CAUTION - THIS PROJECT REQUIRES CONSTRUCTION WORK IN, AROUND, AND OVER HAZARDOUS AND UNPROTECTED MINE SHAFTS, STOPS, ADITS, AND OTHER OPENINGS WHICH MAY BE OPEN TO THE SURFACE OR HIDDEN FROM VIEW BY TRASH, DEBRIS, OR THIN AND UNSTABLE LAYERS OF SURFACE MATERIALS OR ROCK. THE CONSTRUCTOR SHALL BE RESPONSIBLE FOR THOROUGHLY INVESTIGATING THE SITE CONDITIONS AND SCHEDULING EQUIPMENT, EQUIPMENT OPERATIONS, PERSONNEL AND SAFETY PROCEDURES TO PREVENT ACCIDENTS AND INJURIES.

ABANDONED MINE LAND PROGRAM MINING AND MINERALS DIVISION NEW MEXICO ENERGY, MINERALS, AND NATURAL RESOURCES DEPARTMENT		
SCALE: AS SHOWN	FEATURE 6-92	DRAWN BY: MWT
DATE:		REVISED BY:
CULVERT WITH BAT GATE		
FILE:	CERRILLOS CENT/BONANZA CREEK MINE SAFEGUARD PROJECT - PH III	FIGURE: 7



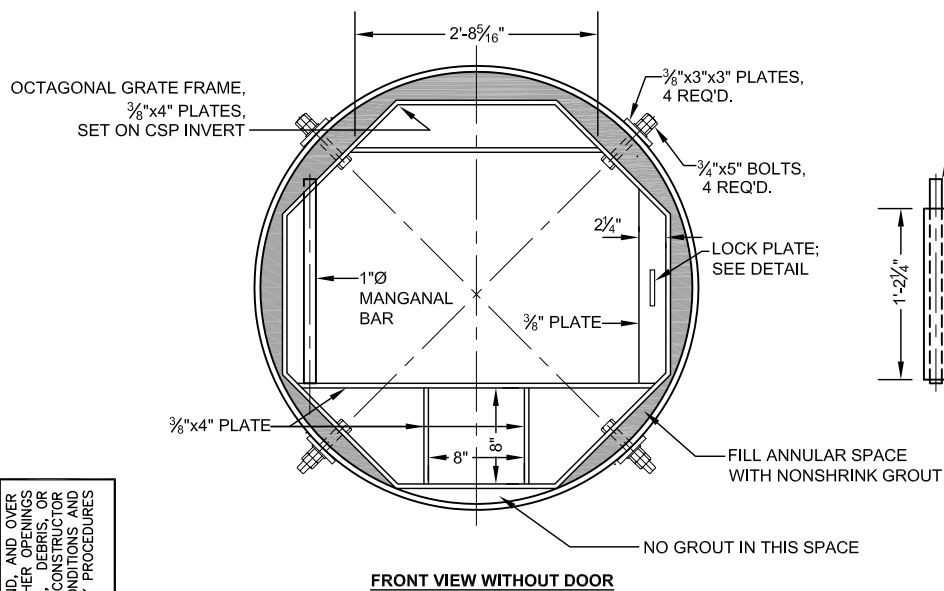
BAT GATE ASSEMBLY

SCALE: 3/4" = 1'-0"



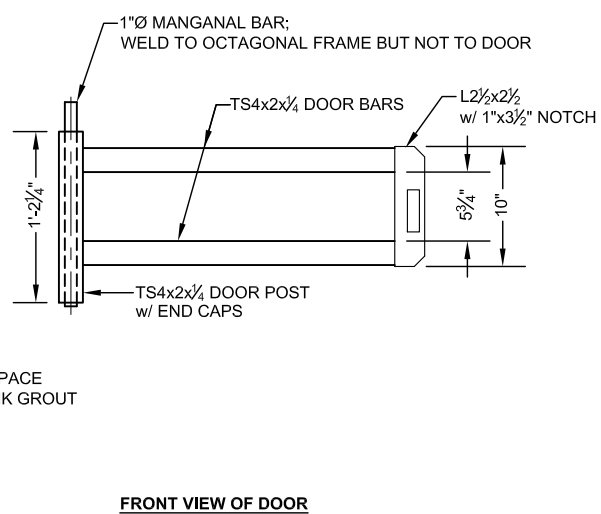
SECTION

SCALE: 1/2" = 1'-0"

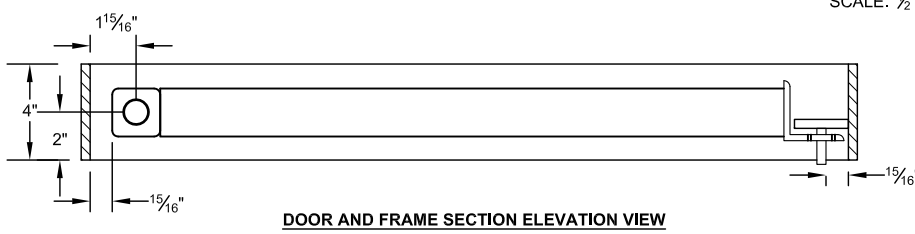


BAT GATE ASSEMBLY (FRONT VIEW WITHOUT CSP)

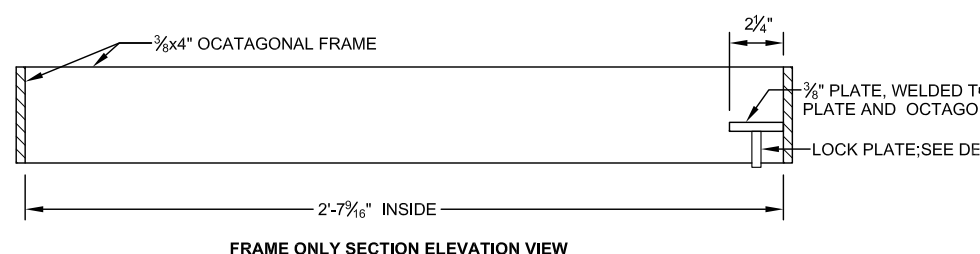
SCALE: 3/4" = 1'-0"



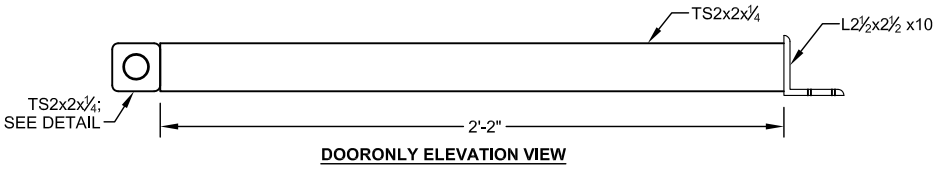
FRONT VIEW OF DOOR



DOOR AND FRAME SECTION ELEVATION VIEW



FRAME ONLY SECTION ELEVATION VIEW



DOOR ONLY ELEVATION VIEW

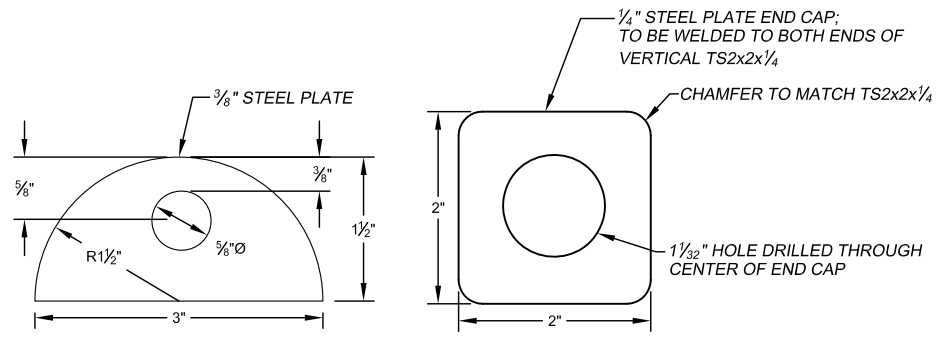
ELEVATION VIEWS OF DOOR ASSEMBLY

SCALE: 1 1/2" = 1'-0"

GENERAL NOTES:

1. THE SHAPE AND DIMENSIONS SHOWN AT THE EXISTING ADIT OPENING ARE APPROXIMATE. FIELD VERIFY ALL DIMENSIONS BEFORE FABRICATION.
2. STEEL PLATES AND SHAPES FOR THE BAT GATE ASSEMBLY SHALL BE WEATHERING STEEL AS SPECIFIED. WELD ALL JOINTS. PLATES FOR BOLTS, BOLTS AND NUTS SHALL BE WEATHERING OR STAINLESS STEEL. DOUBLE-NUT ALL BOLTS. ROUND OR CHAMFER ALL EXPOSED EDGES AND CORNERS.
3. COMMON FILL IS UNCLASSIFIED; MINE WASTE MATERIAL IS ACCEPTABLE. MATERIAL WITHIN ONE FOOT OF THE CORRUGATED STEEL PIPE SHALL BE SMALLER THAN THREE INCHES. THOROUGHLY COMPACT ALL FILL MATERIAL BELOW AND WITHIN TWO FEET OF THE SIDES OF THE CSP TO MINIMIZE SETTLEMENT.
4. ROCK PLATING SHALL BE SOUND, DURABLE NATIVE ROCK AS LARGE AS PRACTICABLE AND NO SMALLER THAN 6" IN LEAST DIMENSION. PLACE ROCK PLATING AS SHOWN AND ACROSS FULL WIDTH OF ADIT OPENING. DO NOT BLOCK THE CSP OPENING.
5. GROUT SHALL BE CONSTRUCTION GRADE.
6. PAINT VISIBLE PORTIONS OF CSP (INSIDE AND OUTSIDE) WITH NATINA STAIN OR APPROVED EQUIVALENT FOR CAMOUFLAGE. COLOR SHOULD BLEND IN WITH THE ROCK BULKHEAD AS DIRECTED BY THE PROJECT MANAGER.
7. PADLOCK WILL BE PROVIDED BY BLM OR MINERAL CLAIMANT.
8. INSTALL SURVEY MARKER INTO GROUT OR ADJACENT COMPETENT ROCK AS DIRECTED BY THE PROJECT MANAGER.

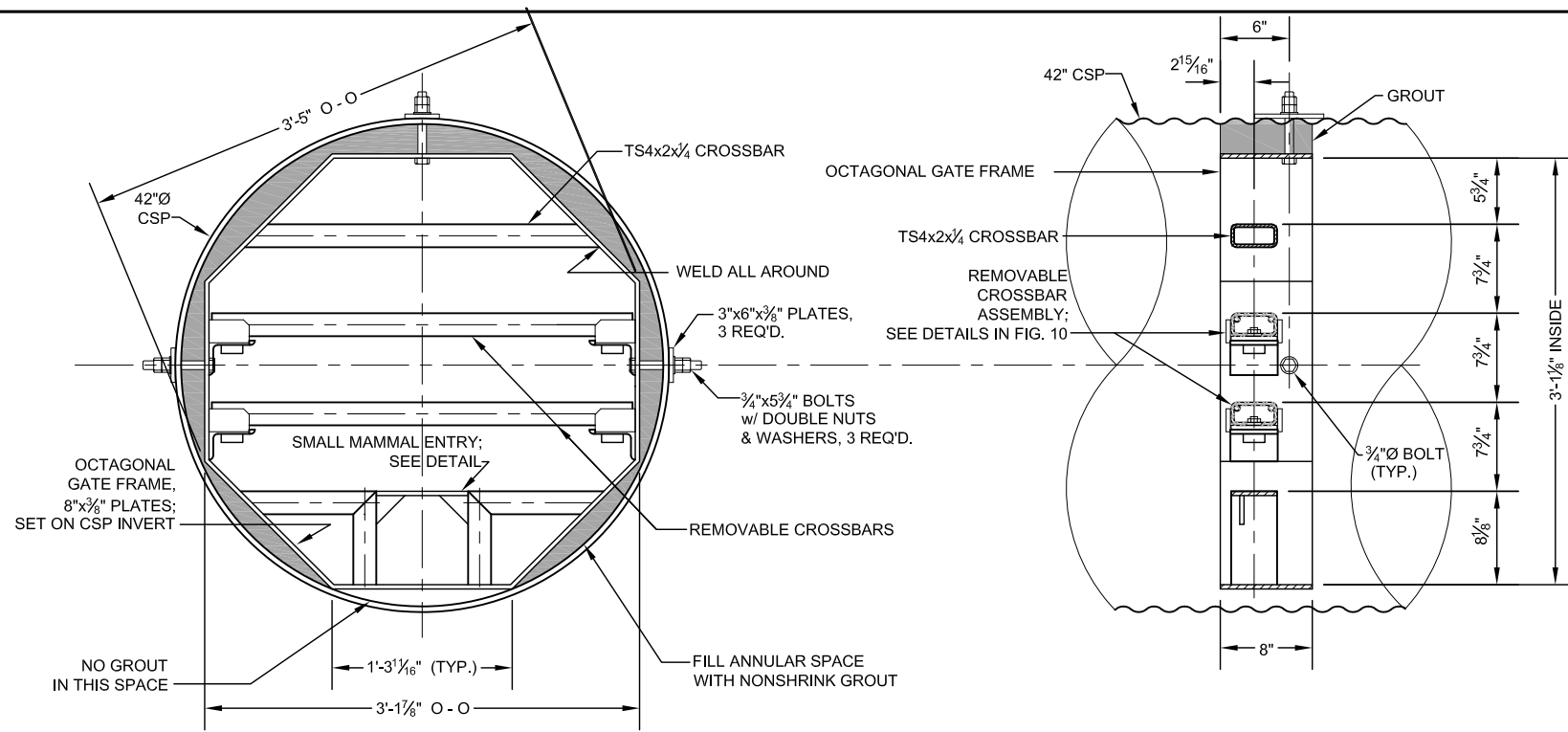
CAUTION - THIS PROJECT REQUIRES CONSTRUCTION WORK IN, AROUND, AND OVER UNSTABLE, UNREINFORCED, OR OTHERWISE WEAKENED MINE ADITS, TUNNELS, OR OTHER UNDERGROUND FEATURES. WORKERS SHOULD BE TRAINED AND EQUIPPED TO IDENTIFY AND AVOID SUCH UNSTABLE CONDITIONS. THE CONTRACTOR SHALL BE RESPONSIBLE FOR THOROUGHLY INVESTIGATING THE SITE CONDITIONS AND SCHEDULING EQUIPMENT, EQUIPMENT OPERATIONS, PERSONNEL AND SAFETY PROCEDURES TO PREVENT ACCIDENTS AND INJURIES.



LOCK PLATE AND END CAP DETAILS

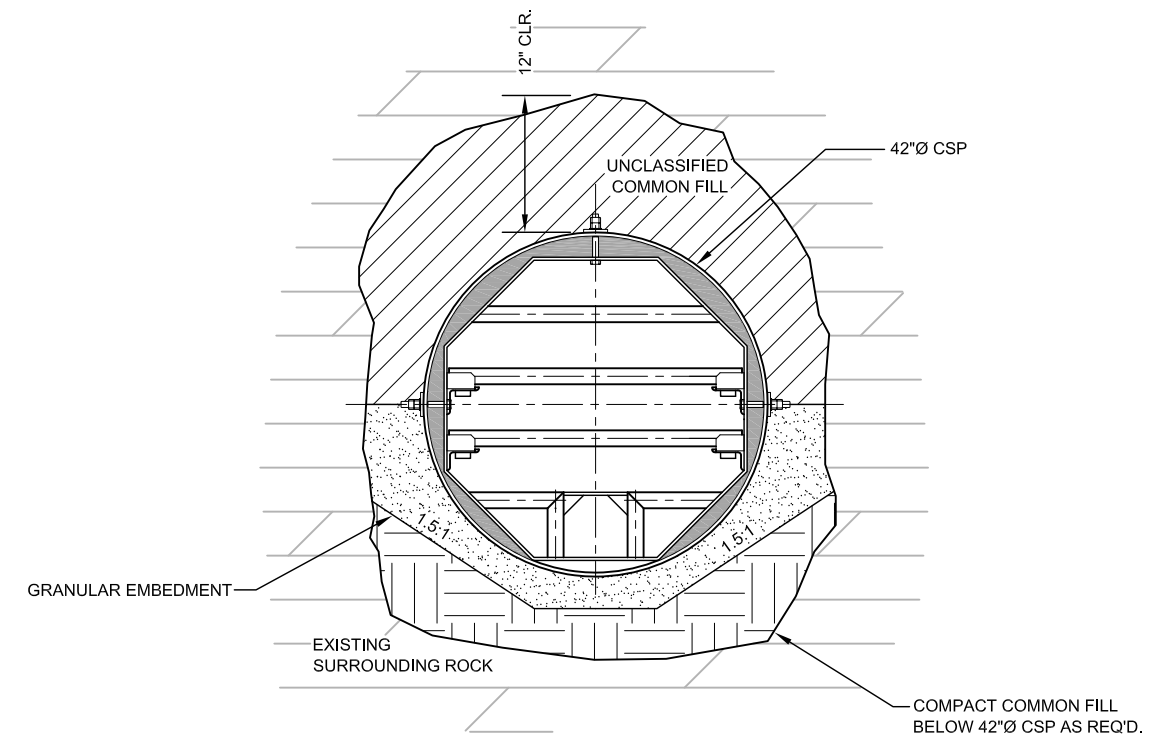
SCALE: 6" = 1'-0"

ABANDONED MINE LAND PROGRAM MINING AND MINERALS DIVISION NEW MEXICO ENERGY, MINERALS, AND NATURAL RESOURCES DEPARTMENT		
SCALE: AS SHOWN	FEATURE 7-20	DRAWN BY:
DATE:		REVISED BY:
CULVERT WITH BAT GATE		
FILE:	CERRILLOS CENT./BONANZA CRK MINE SAFEGUARD PROJECT-PH III	FIGURE: 8



BAT GATE ASSEMBLY

SCALE: 3/4" = 1'-0"

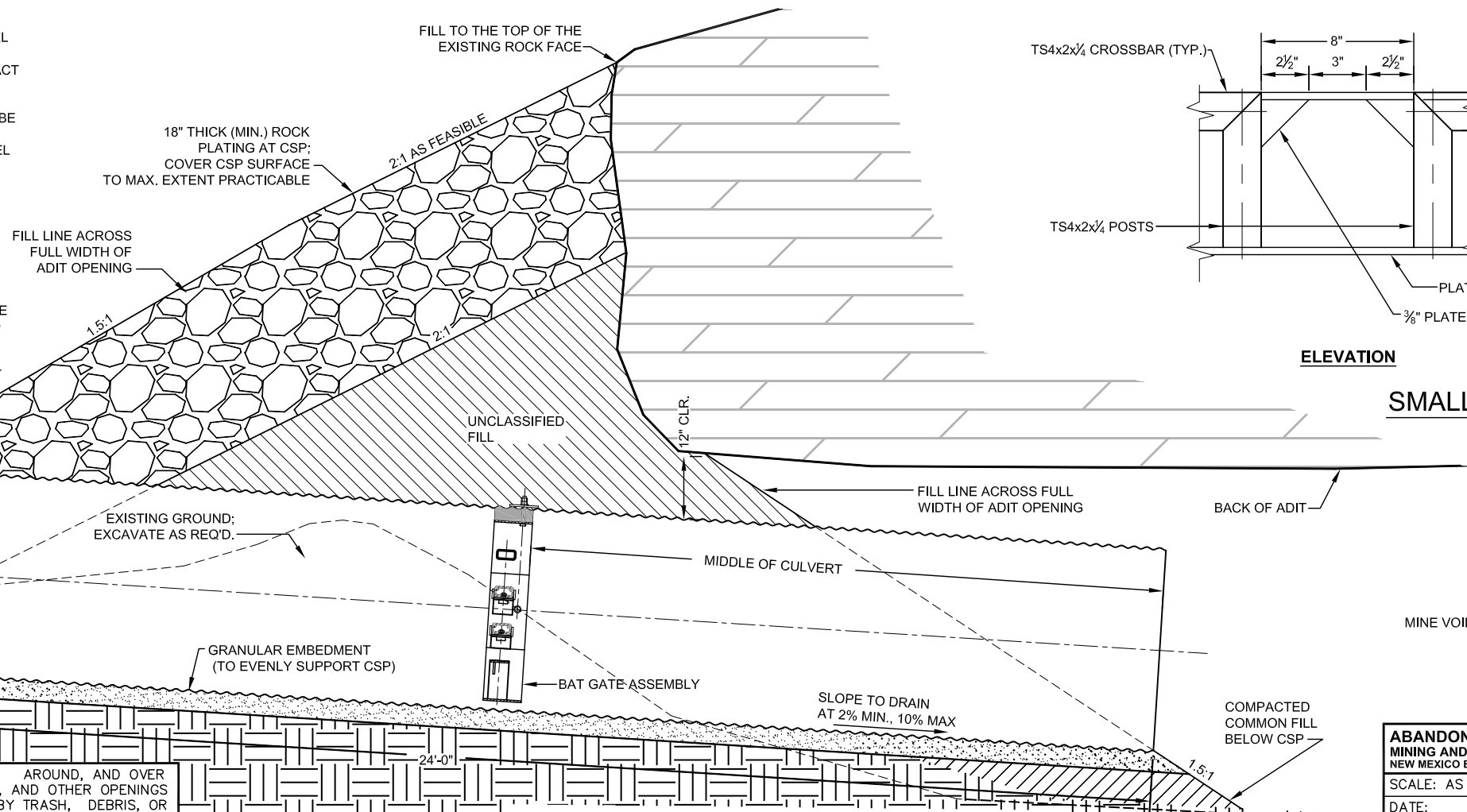


SECTION - CULVERT INSTALLATION

SCALE: 1/2" = 1'-0"

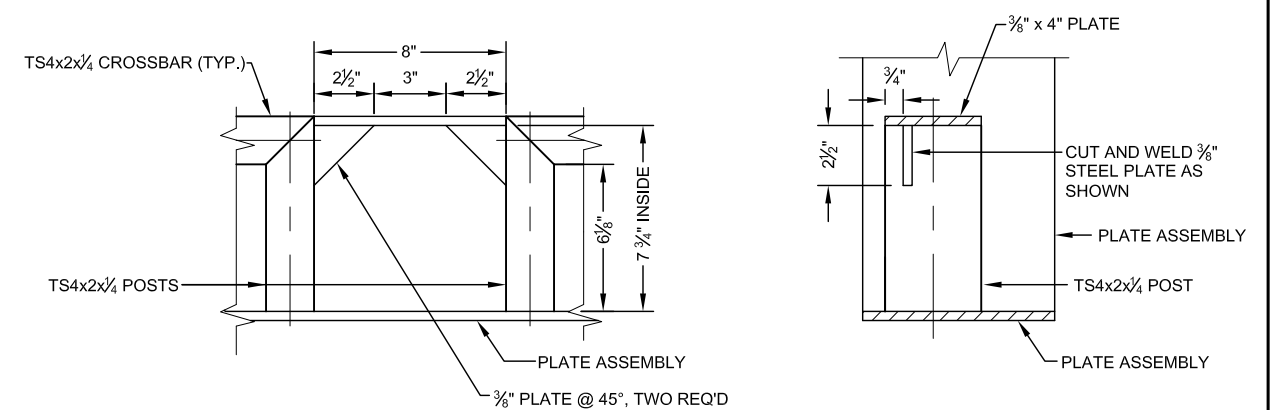
GENERAL NOTES:

1. THE SHAPE AND DIMENSIONS SHOWN AT THE EXISTING ADIT OPENING ARE APPROXIMATE. FIELD VERIFY ALL DIMENSIONS BEFORE FABRICATION.
2. GRANULAR EMBEDMENT SHALL BE CRUSHED ROCK OR PEA GRAVEL WITH NOT LESS THAN 95% PASSING 3/4" AND NOT LESS THAN 90% RETAINED ON A #4. PLACE IN NOT MORE THAN 6" LAYERS AND COMPACT BY SLICING WITH A SHOVEL OR VIBRATING.
3. STEEL PLATES AND SHAPES FOR THE BAT GATE ASSEMBLY SHALL BE WEATHERING STEEL AS SPECIFIED. WELD ALL JOINTS. PLATES FOR BOLTS, BOLTS AND NUTS SHALL BE WEATHERING OR STAINLESS STEEL AS SPECIFIED. DOUBLE-NUT ALL BOLTS. ROUND OR CHAMFER ALL SHARP CORNERS AND EDGES.
4. COMMON FILL IS UNCLASSIFIED; MINE WASTE MATERIAL IS ACCEPTABLE. MATERIAL WITHIN ONE FOOT OF THE CORRUGATED STEEL PIPE SHALL BE SMALLER THAN THREE INCHES. THOROUGHLY COMPACT ALL FILL MATERIAL BELOW AND WITHIN TWO FEET OF THE SIDES OF THE CSP TO MINIMIZE SETTLEMENT.
5. ROCK PLATING SHALL BE SOUND, DURABLE NATIVE ROCK AS LARGE AS PRACTICABLE AND NO SMALLER THAN 6" IN LEAST DIMENSION. DO NOT BLOCK CSP OPENING WITH ROCK.
6. INSTALL SURVEY CAP IN GROUT OR AS DIRECTED BY THE PROJECT MANAGER.
7. GROUT SHALL BE CONSTRUCTION GRADE.



PROFILE - CULVERT INSTALLATION

SCALE: 3/8" = 1'-0"

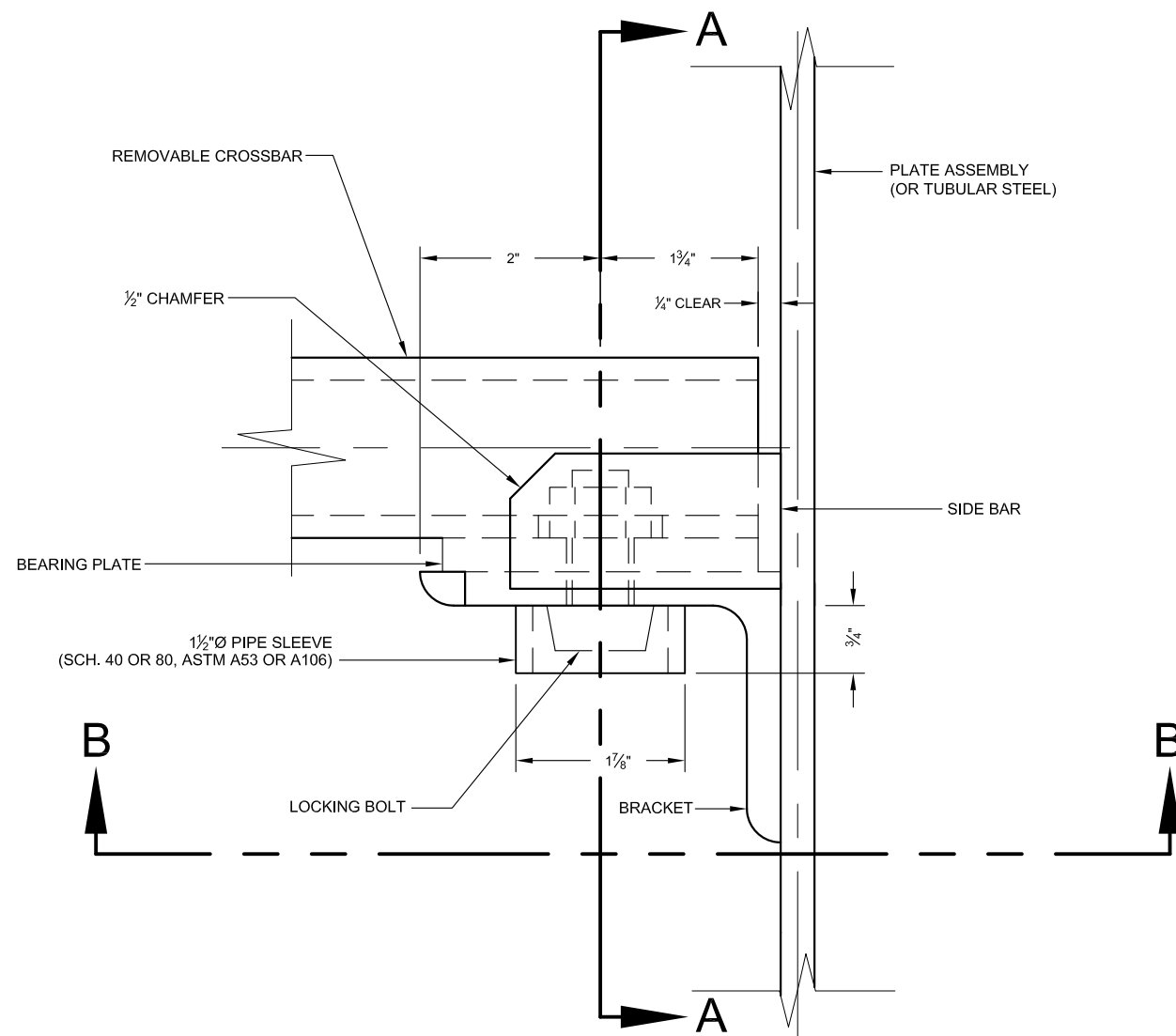


SMALL MAMMAL ENTRY DETAIL

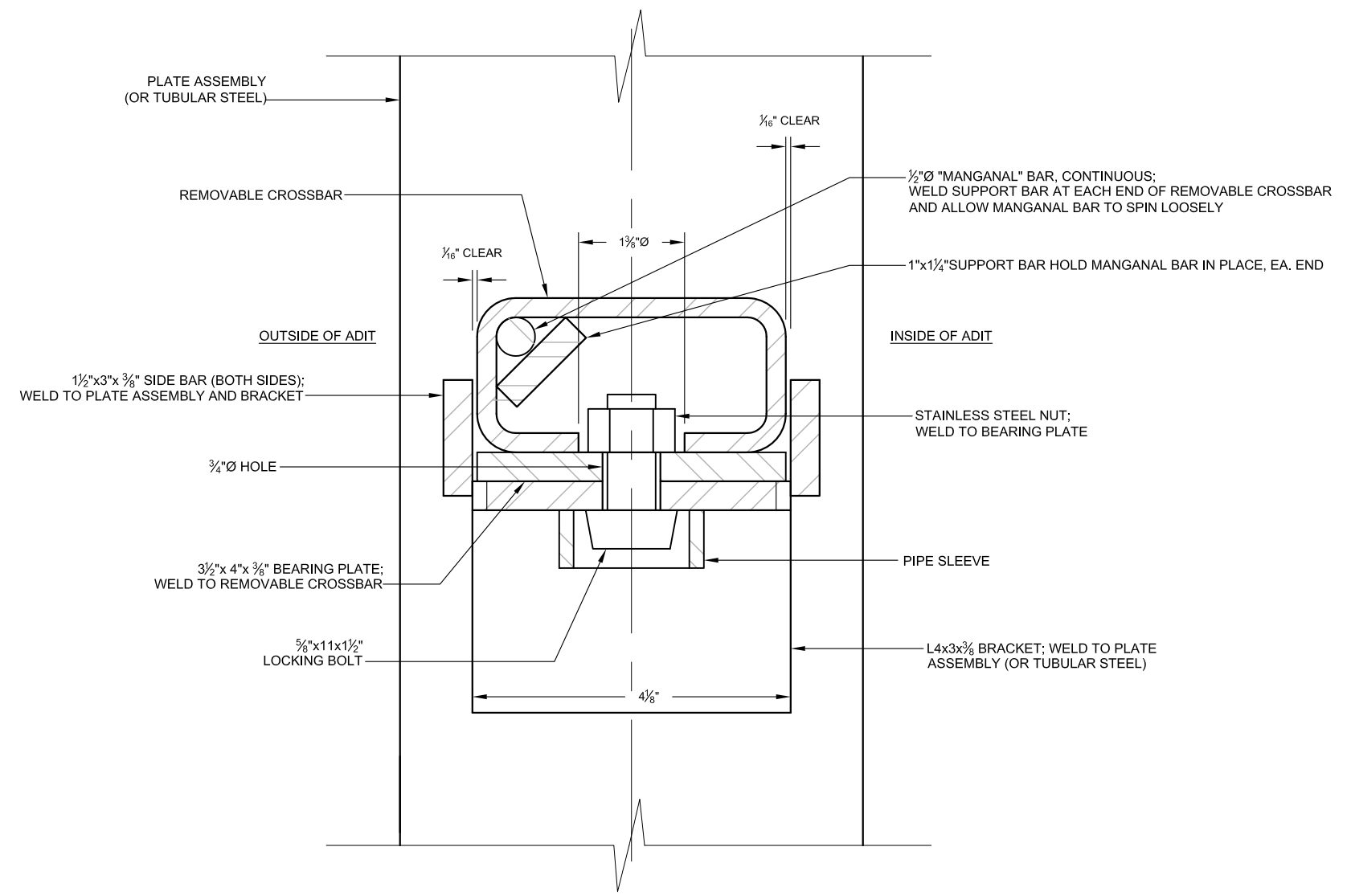
SCALE: 1 1/2" = 1'-0"

CAUTION - THIS PROJECT REQUIRES CONSTRUCTION WORK IN, AROUND, AND OVER HAZARDOUS AND UNPROTECTED MINE SHAFTS, STOPS, ADITS, AND OTHER OPENINGS WHICH MAY BE OPEN TO THE SURFACE OR HIDDEN FROM VIEW BY TRASH, DEBRIS, OR THIN AND UNSTABLE LAYERS OF SURFACE MATERIALS OR ROCK. THE CONSTRUCTOR SHALL BE RESPONSIBLE FOR THOROUGHLY INVESTIGATING THE SITE CONDITIONS AND SCHEDULING EQUIPMENT, EQUIPMENT OPERATIONS, PERSONNEL AND SAFETY PROCEDURES TO PREVENT ACCIDENTS AND INJURIES.

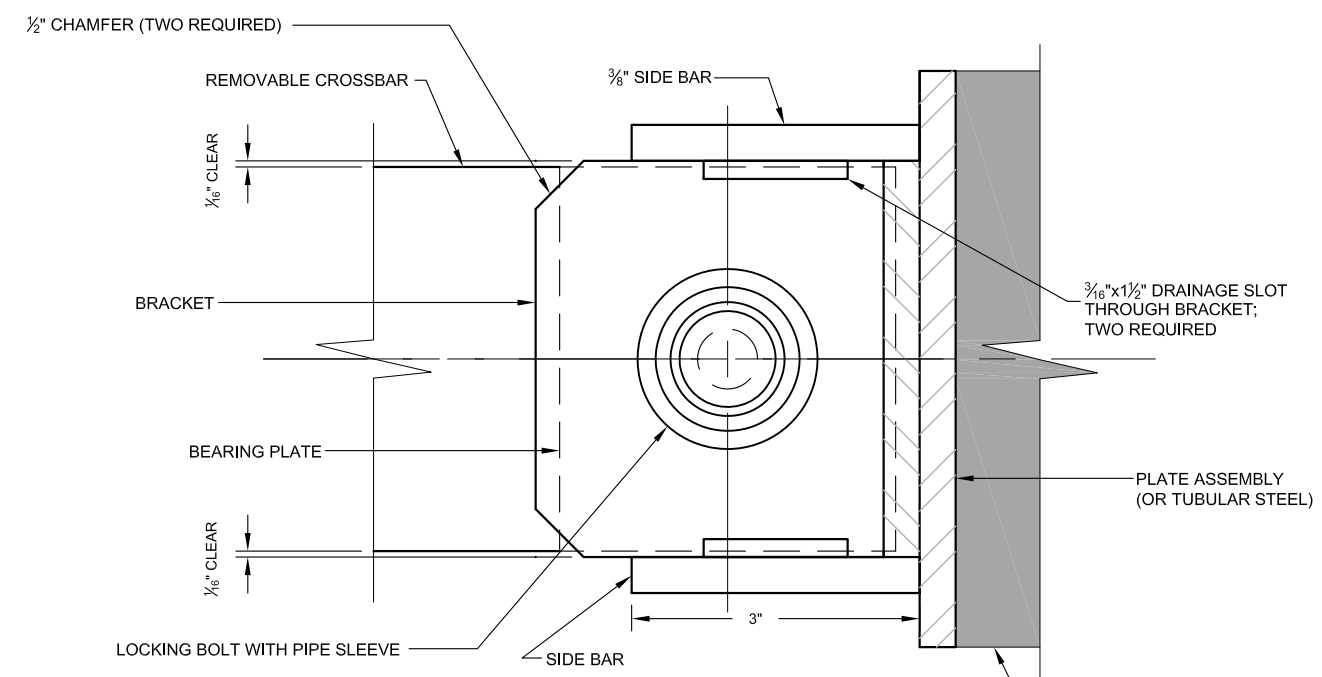
ABANDONED MINE LAND PROGRAM MINING AND MINERALS DIVISION NEW MEXICO ENERGY, MINERALS, AND NATURAL RESOURCES DEPARTMENT		
SCALE: AS SHOWN	FEATURE 8-11	DRAWN BY: MWT
DATE:		REVISED BY:
CULVERT WITH BAT GATE		
FILE:	CERRILLOS CENTRAL/BONANZA CREEK MINE SAFEGUARD PROJECT PH.II	FIGURE: 9



ELEVATION
(OPPOSITE SIDE SYMMETRICAL)



SECTION A-A

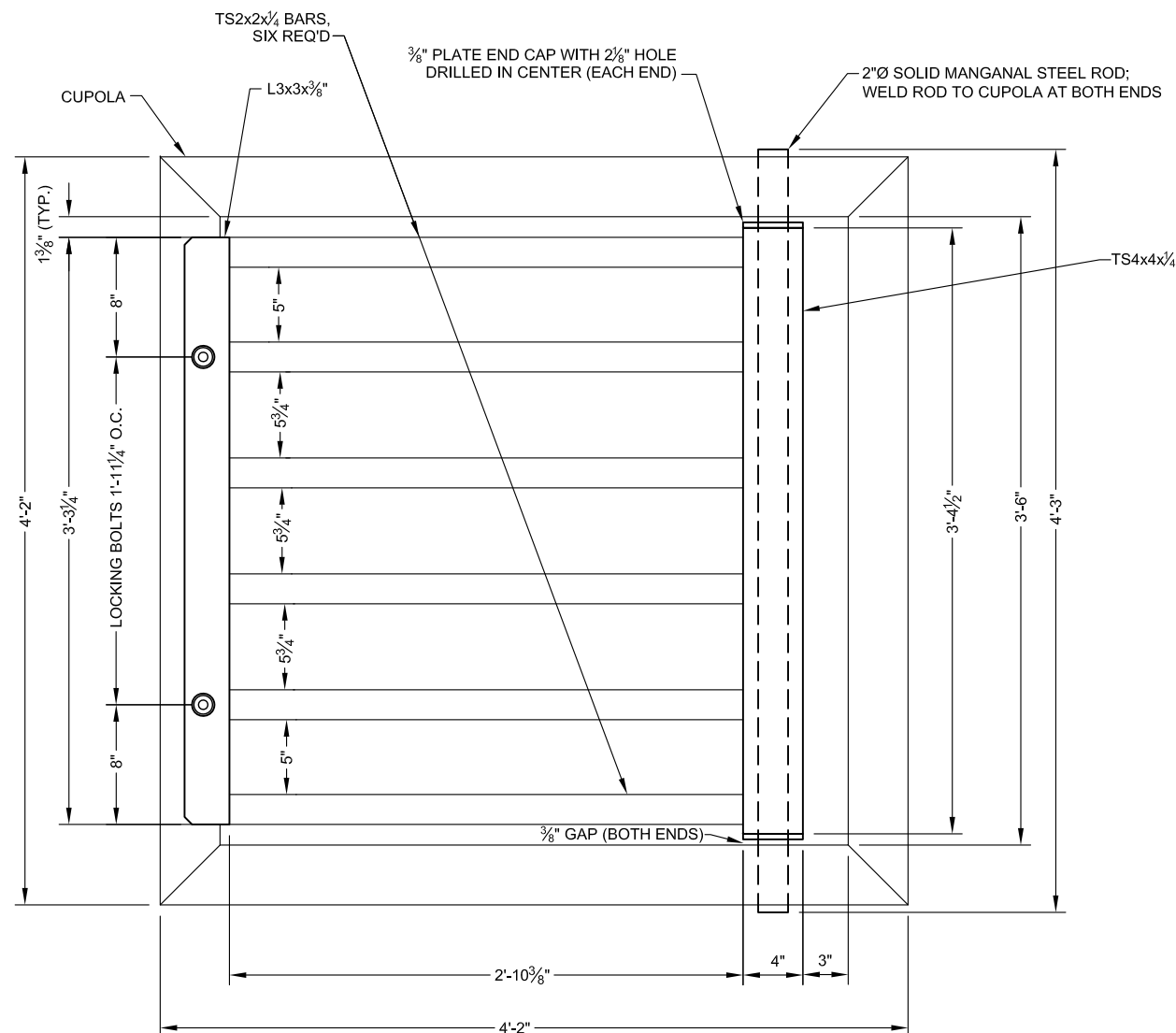


SECTION B-B
(BOTTOM VIEW)

GENERAL NOTES:

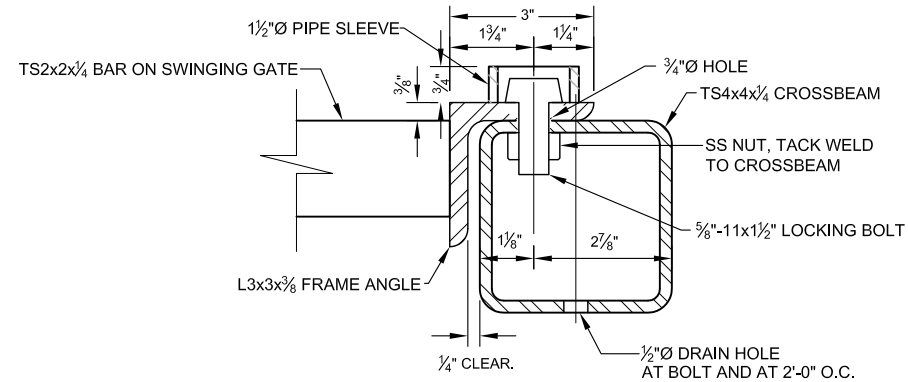
1. STEEL PLATES AND SHAPES SHALL BE WEATHERING STEEL. WELD ALL JOINTS, EXCEPT AS OTHERWISE INDICATED. CONSTRUCT THE LOCK TO ELIMINATE SURFACES ON WHICH MOISTURE OR DEBRIS CAN BE TRAPPED. JOINTS SHALL BE TIGHT SO THAT MOISTURE CANNOT ENTER BETWEEN THE PLIES OF MATERIAL. ROUND OR CHAMFER ALL EXPOSED SHARP CORNERS AND EDGES.
2. "MANGANAL" BARS SHALL BE HIGH MANGANESE STEEL WITH 12% TO 14% MANGANESE. EACH BAR SHALL EXTEND THE FULL LENGTH OF EACH REMOVABLE CROSSBAR.
3. ALONG THE BOTTOM OF EACH REMOVABLE CROSSBAR, DRILL 1/2" DIAMETER HOLES AT 1'-0" O.C.
4. THE CONTRACTOR SHALL PROVIDE THE NUTS (5/8"Ø - 11 UNC CLASS 2A THREAD). THE PROJECT MANAGER WILL SUPPLY THE LOCKING BOLTS.
5. COAT THE THREADS OF THE LOCKING BOLTS WITH LPS1 LUBRICANT AND INSTALL FIRMLY WITH 50 TO 75 POUNDS OF TORQUE.

ABANDONED MINE LAND PROGRAM MINING AND MINERALS DIVISION NEW MEXICO ENERGY, MINERALS, AND NATURAL RESOURCES DEPARTMENT			
SCALE: 6"=1'-0"	FEATURE 8-11	DRAWN BY: JAK	
DATE:		REVISED BY: MWT	
REMOVABLE CROSSBAR LOCK DETAIL			
FILE:	CERRILLOS CENTRAL/BONANZA CREEK MINE SAFEGUARD PROJECT PH.III	FIGURE: 10	



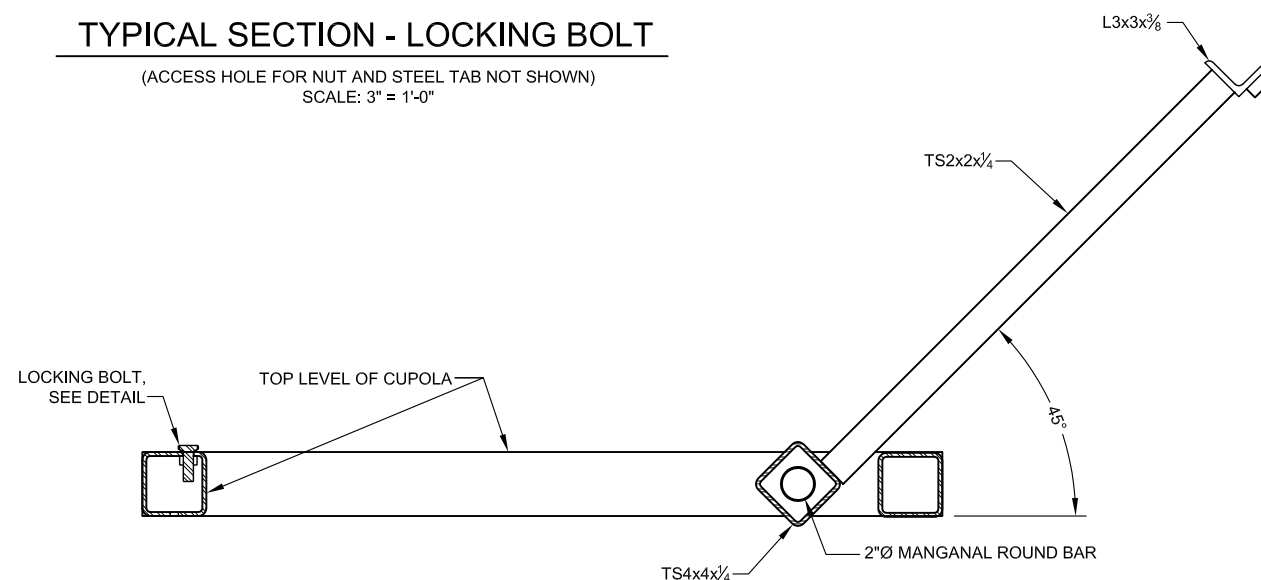
PLAN - FRAME FOR OPENABLE HATCH

SCALE: 1" = 1'-0"



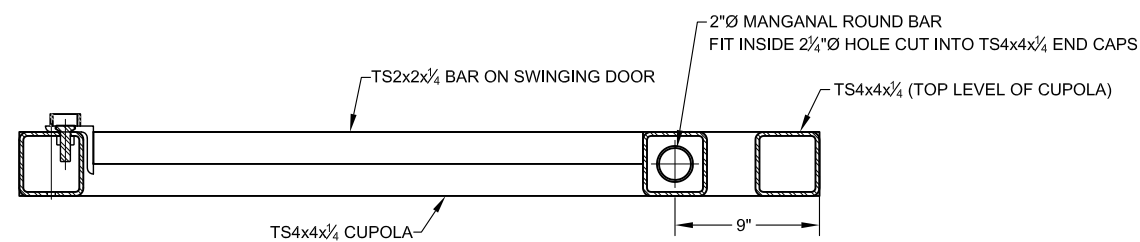
TYPICAL SECTION - LOCKING BOLT

(ACCESS HOLE FOR NUT AND STEEL TAB NOT SHOWN)
SCALE: 3" = 1'-0"



SECTION IN OPEN POSITION

SCALE: 1" = 1'-0"



SECTION IN CLOSED POSITION

SCALE: 1" = 1'-0"

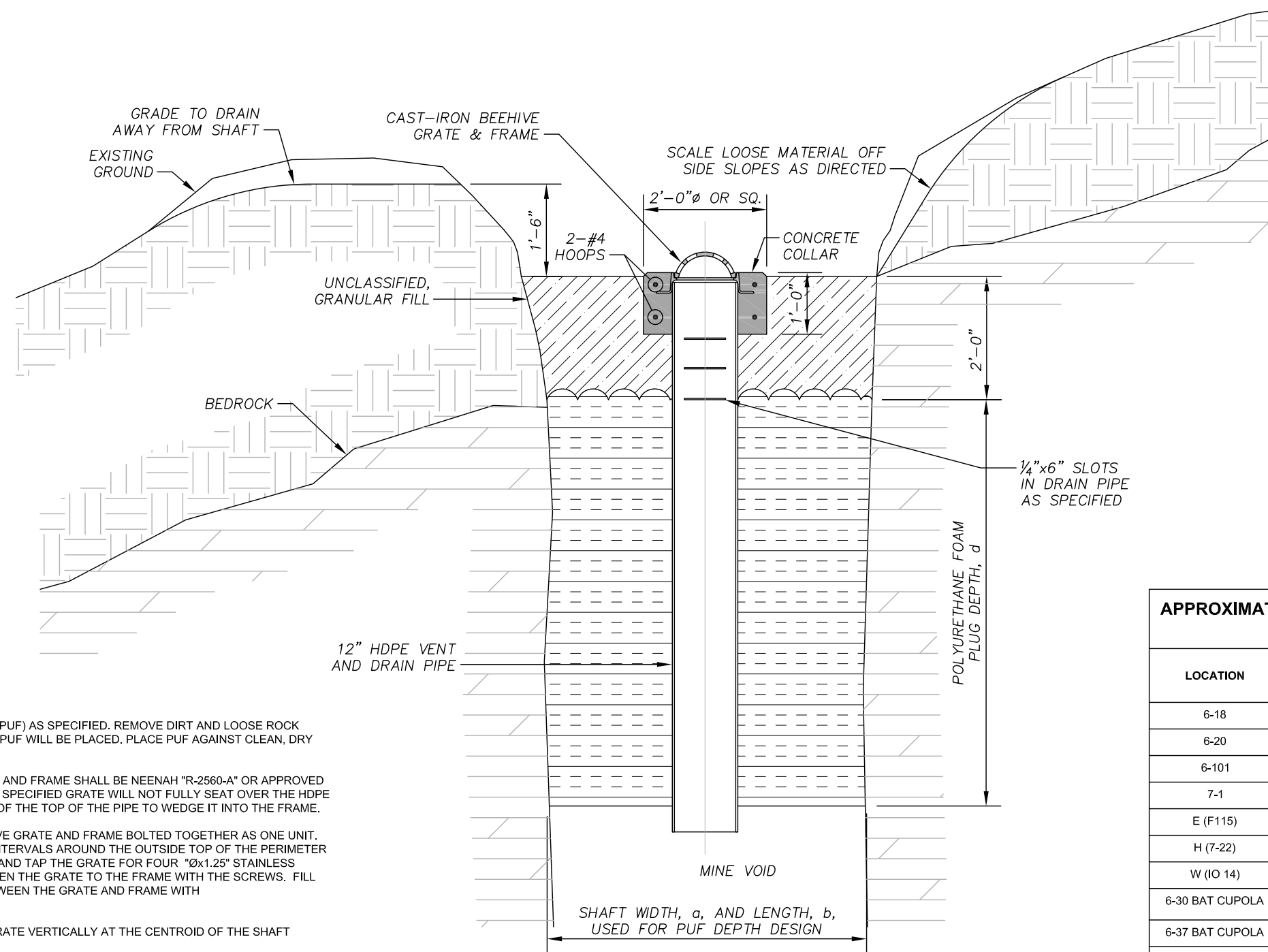
NOTES FOR LOCKING BOLTS:

1. FIRST DRILL AN $1\frac{1}{8}$ " HOLE THROUGH THE FRAME ANGLE.
2. THEN USE A $1\frac{1}{4}$ " DRILL BIT TO MAKE A COUNTERBORE INTO THE TOP OF THE FRAME ANGLE THAT WILL FORM A BEARING SURFACE FOR THE BOLT HEAD. DRILL TO A DEPTH OF $\frac{5}{16}$ " SO THAT THE TOP OF THE BOLT WILL BE SLIGHTLY ABOVE THE TOP OF THE ANGLE.
3. WHILE DRILLING THE COUNTERBORE, THE BIT SHALL NOT GO COMPLETELY THROUGH THE FRAME ANGLE. THE BOLT SEATING AREA SHALL BE ON THE ANGLE WHEN INSTALLED.
4. GREASE THREADS OF BOLTS AND INSTALL FIRMLY WITH 50 TO 75 POUNDS OF TORQUE.
5. THE PROJECT MANAGER WILL PROVIDE THE LOCKING BOLTS.

GENERAL NOTES:

1. STEEL PLATES AND SHAPES SHALL BE WEATHERING STEEL. WELD ALL JOINTS. CONSTRUCT THE CLOSURE FRAME AND SWINGING HATCH TO ELIMINATE SURFACES ON WHICH MOISTURE OR DEBRIS CAN BE TRAPPED. PLIES OF MATERIAL SHALL BE TIGHT TO PREVENT THE INCURSION OF MOISTURE. ALL TUBULAR MEMBERS SHALL BE HERMETICALLY SEALED TO PREVENT THE INCURSION OF MOISTURE, EXCEPT AS OTHERWISE NOTED. ROUND OR CHAMFER ALL EXPOSED SHARP CORNERS AND EDGES.
2. AT EACH OF THE TWO REMOVABLE BOLT LOCATIONS, CUT A SMALL ACCESS HOLE THROUGH THE INSIDE FACE OF THE CROSSBEAM TO PLACE AND TACK WELD THE NUT. FOR DRAINAGE DRILL A $\frac{1}{2}$ " HOLE THROUGH THE BOTTOM CENTER OF THE CROSSBEAM AT EACH ACCESS HOLE AND AT 2'-0" O.C. ALONG THE FULL LENGTH OF THE BEAM. THE PROJECT MANAGER WILL PROVIDE THE LOCKING BOLTS. THE CONTRACTOR SHALL PROVIDE THE NUTS ($\frac{5}{8}$ "-11 UNC CLASS 2A THREAD). NUTS SHALL BE STAINLESS STEEL.

ABANDONED MINE LAND PROGRAM		
MINING AND MINERALS DIVISION NEW MEXICO ENERGY, MINERALS, AND NATURAL RESOURCES DEPARTMENT		
SCALE: AS SHOWN	DRAWN BY: MWT	
DATE: 10/06/11	REVISED BY:	
VARIOUS LOCATIONS		
SWINGING HINGED HATCH DETAILS		
FILE:	CERRILLOS CENTRAL/BONANZA CREEK MINE SAFEGUARD PROJECT-PH III	
	FIGURE: 11	



GENERAL NOTES:

1. INSTALL POLYURETHANE FOAM (PUF) AS SPECIFIED. REMOVE DIRT AND LOOSE ROCK FROM SURFACES AGAINST WHICH PUF WILL BE PLACED. PLACE PUF AGAINST CLEAN, DRY SURFACES.
2. THE CAST-IRON BEEHIVE GRATE AND FRAME SHALL BE NEENAH "R-2560-A" OR APPROVED EQUIVALENT. THE FRAME FOR THE SPECIFIED GRATE WILL NOT FULLY SEAT OVER THE HDPE PIPE. BEVEL THE OUTSIDE EDGES OF THE TOP OF THE PIPE TO WEDGE IT INTO THE FRAME.
3. IF POSSIBLE, ORDER THE BEEHIVE GRATE AND FRAME BOLTED TOGETHER AS ONE UNIT. IF THAT IS NOT POSSIBLE, AT 90° INTERVALS AROUND THE OUTSIDE TOP OF THE PERIMETER OF THE FRAME, DRILL THE FRAME AND TAP THE GRATE FOR FOUR 1/2"x1.25" STAINLESS STEEL NC HEX CAP SCREWS. FASTEN THE GRATE TO THE FRAME WITH THE SCREWS. FILL THE ENTIRE ANNULAR SPACE BETWEEN THE GRATE AND FRAME WITH CONSTRUCTION-GRADE EPOXY.
4. CENTER THE DRAIN PIPE AND GRATE VERTICALLY AT THE CENTROID OF THE SHAFT OPENING.
5. CHAMFER EXPOSED EDGES OF CONCRETE.
6. AS PRACTICABLE, SHAPE THE REMAINING MINE WASTE MATERIAL TO RESEMBLE AN UNDISTURBED MINE WASTE PILE.
7. INSTALL SURVEY CAP IN ACCORDANCE WITH SECTION 02890.

NOTES:

1. IF THE AVERAGE SHAFT WIDTH OR LENGTH AT THE BOTTOM OF THE PUF PLUG VARIES MORE THAN TEN PERCENT FROM THE STATED VALUES IN THIS TABLE, RECALCULATE THE DEPTH OF THE PUF PLUG IN ACCORDANCE WITH THE FOLLOWING FORMULA: $d = 0.5a + 0.65b$. RELOCATE THE BOTTOM OF THE PUF PLUG AS REQUIRED.
2. PRIOR TO PLACING THE PUF PLUG, INFORM THE PROJECT ENGINEER OF ANY PROPOSED CHANGES TO THE DEPTHS OF THE PUF PLUG FOR HIS REVIEW AND APPROVAL.

APPROXIMATE SHAFT DIMENSIONS AND CORRESPONDING PUF PLUG DESIGN DEPTHS				
LOCATION	a, SHAFT WIDTH (FT.)	b, SHAFT LENGTH (FT.)	d, PUF PLUG DEPTH (FT.)	APPROX. PUF VOLUME (C.Y.)
6-18	5.0	9.0	8.5	14.2
6-20	7.0	11.0	10.7	30.6
6-101	5.0	8.0	7.7	11.5
7-1	5.0	9.0	8.5	14.2
E (F115)	9.0	10.0	11.0	36.7
H (7-22)	6.0	9.0	9.0	18.0
W (IO 14)	4.0	8.0	7.2	8.6
6-30 BAT CUPOLA	PUF for CUPOLA			7.0
6-37 BAT CUPOLA	PUF for CUPOLA			35
			TOTAL	185

TYPICAL SECTION

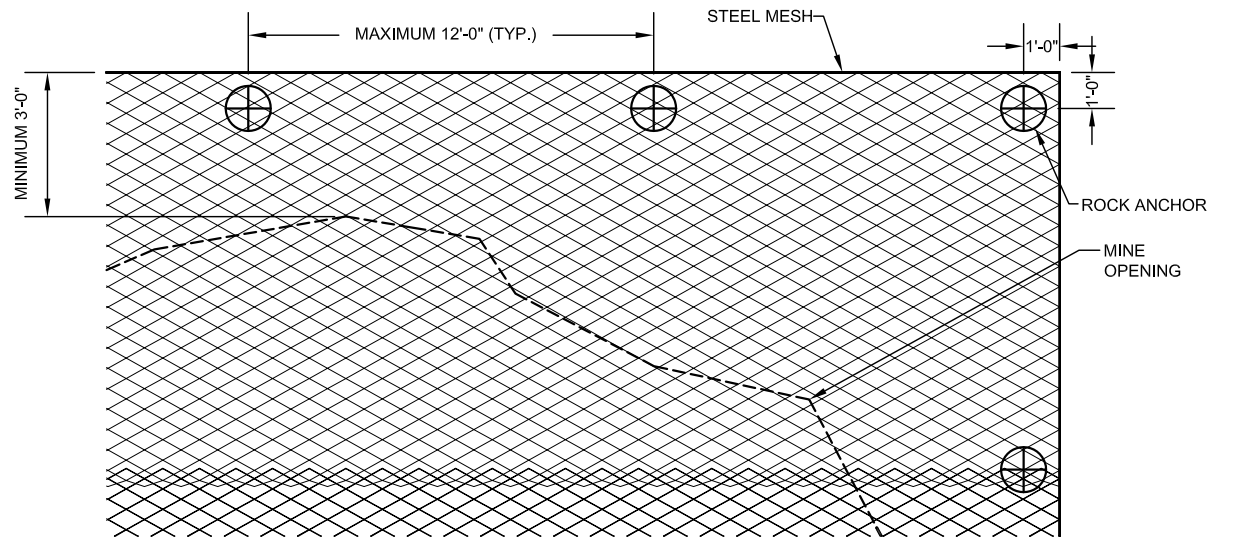
ABANDONED MINE LAND PROGRAM MINING AND MINERALS DIVISION NEW MEXICO ENERGY, MINERALS, AND NATURAL RESOURCES DEPARTMENT			
SCALE: AS SHOWN	VARIOUS LOCATIONS	DRAWN BY:	
DATE: 9/17/2013		REVISED BY: MWT	
POLYURETHANE FOAM PLUG CLOSURE			
FILE:	Cerrillos Central/Bonanza Creek Mine Safeguard Project-Phase III		FIGURE: 12

MESH LOCATIONS

LOCATION	MINE OPENING (FT)	APPROX. MESH NEEDED (SQ. FT.)	APPROX. NO. OF ANCHORS NEEDED
8-1	8' x 4'	460	6
8-5	8' x 8'	575	6
6-153	9' x 6'	1035	10

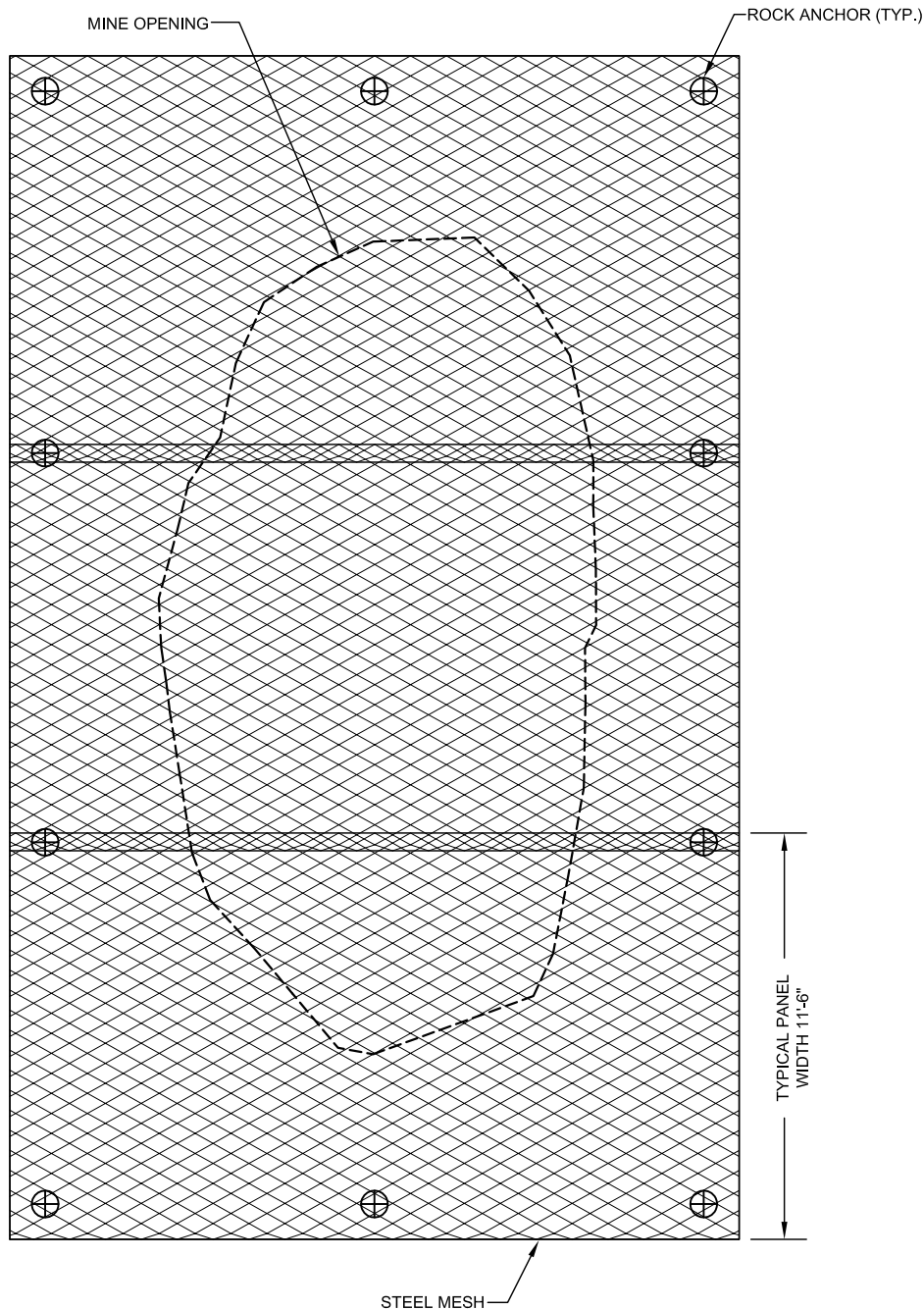
GENERAL NOTES:

1. THE LOCATION AND DIMENSIONS INDICATED FOR THE STEEL MESH AND MINE OPENING ARE APPROXIMATE. ADJUST THE POSITION AND AREA OF THE MESH FOR FIELD CONDITIONS.
2. THE ROCK ANCHOR LOCATIONS INDICATED ARE PRELIMINARY. ADJUST LOCATIONS AND NUMBER OF ANCHORS TO FIT FIELD CONDITIONS. ANCHORS SHALL BE SPACED NO MORE THAN TWELVE FEET FROM THE NEAREST ANCHOR. LOCATE ANCHORS TO AVOID THIN ROCK BACK OF STOPE OPENING BELOW, AT MESH INSTALLATION CORNERS, ALONG MESH EDGES, AND AS REQUIRED TO SNUG THE MESH ONTO THE GROUND SURFACE.
3. PULL BACK WASTE PILES FROM THE STOPE PERIMETER AS NEEDED TO ALLOW FOR THE PROPER INSTALLATION OF THE MESH. REGRADE THE MOVED MATERIAL AS DIRECTED BY THE PROJECT MANAGER TO BLEND IN WITH THE EXISTING WASTE PILES. MINIMIZE THE AMOUNT OF MATERIAL THAT FALLS INTO THE STOPE OPENING.
4. WHERE THE STEEL MESH IS PLACED OVER THE EXISTING GROUND, COVER THE MESH WITH AT LEAST TWO INCHES OF WASTE ROCK MATERIAL AS DIRECTED BY THE PROJECT MANAGER.
5. ESTIMATED LENGTHS DO NOT ACCOUNT FOR SAG OF MESH.
6. INSTALL SURVEY CAP IN ACCORDANCE WITH SECTION 02890.



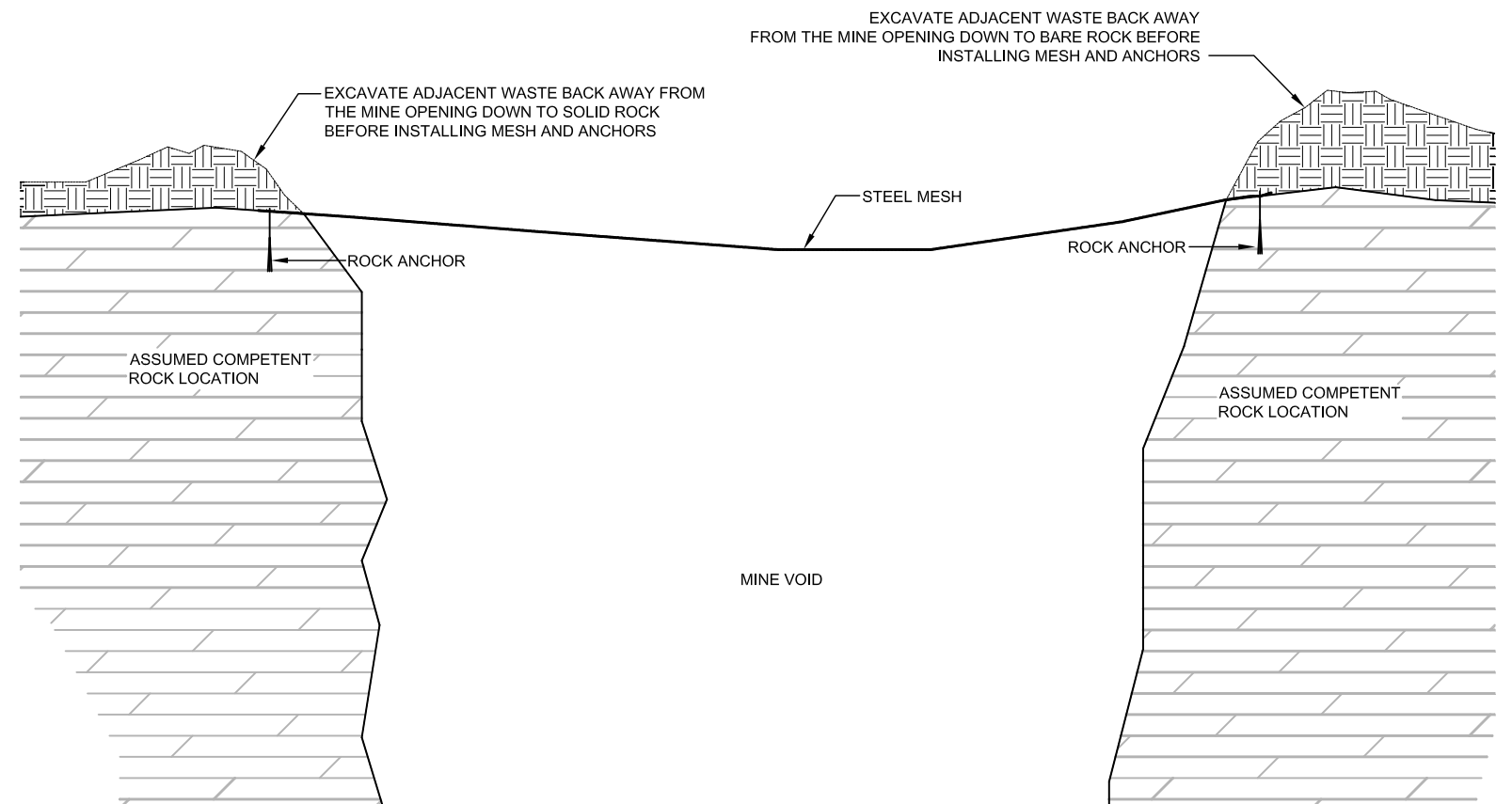
ANCHOR PLACEMENT DETAIL - PLAN VIEW

SCALE: 3/16" = 1'-0"



MESH LAYOUT - PLAN VIEW

SCALE: 3/16" = 1'-0"



SECTION VIEW

SCALE: 1/8" = 1'-0"

CAUTION - THIS PROJECT REQUIRES CONSTRUCTION WORK IN, AROUND, AND OVER HAZARDOUS AND UNPROTECTED MINE SHAFTS, STOPS, ADITS, AND OTHER OPENINGS WHICH MAY BE OPEN TO THE SURFACE OR HIDDEN FROM VIEW BY TRASH, DEBRIS, OR THIN AND UNSTABLE LAYERS OF SURFACE MATERIALS OR ROCK. THE CONSTRUCTOR SHALL BE RESPONSIBLE FOR THOROUGHLY INVESTIGATING THE SITE CONDITIONS AND SCHEDULING EQUIPMENT, EQUIPMENT OPERATIONS, PERSONNEL AND SAFETY PROCEDURES TO PREVENT ACCIDENTS AND INJURIES.

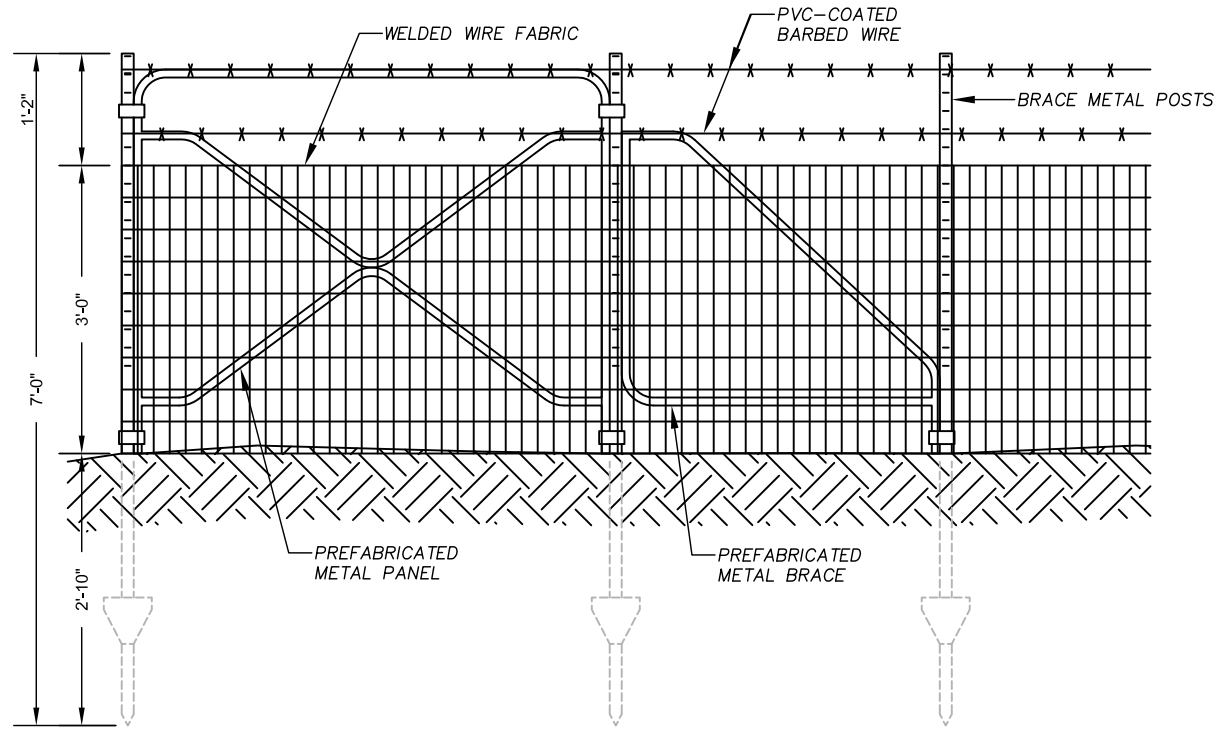
ABANDONED MINE LAND PROGRAM MINING AND MINERALS DIVISION NEW MEXICO ENERGY, MINERALS, AND NATURAL RESOURCES DEPARTMENT			
SCALE: AS SHOWN	VARIOUS LOCATIONS	DRAWN BY: MWT	
DATE:		REVISED BY:	
STEEL MESH CLOSURE			
FILE:	CERRILLOS CENT./BONANZA CREEK MINE SAFEGUARD PRJ - PH. III	FIGURE: 13	

CAUTION - THIS PROJECT REQUIRES CONSTRUCTION WORK IN, AROUND, AND OVER HAZARDOUS AND UNPROTECTED MINE SHAFTS, STOPS, ADITS, AND OTHER OPENINGS WHICH MAY BE OPEN TO THE SURFACE OR HIDDEN FROM VIEW BY TRASH, DEBRIS, OR THIN AND UNSTABLE LAYERS OF SURFACE MATERIALS OR ROCK. THE CONSTRUCTOR SHALL BE RESPONSIBLE FOR THOROUGHLY INVESTIGATING THE SITE CONDITIONS AND SCHEDULING EQUIPMENT, EQUIPMENT OPERATIONS, PERSONNEL AND SAFETY PROCEDURES TO PREVENT ACCIDENTS AND INJURIES.

TYPICAL

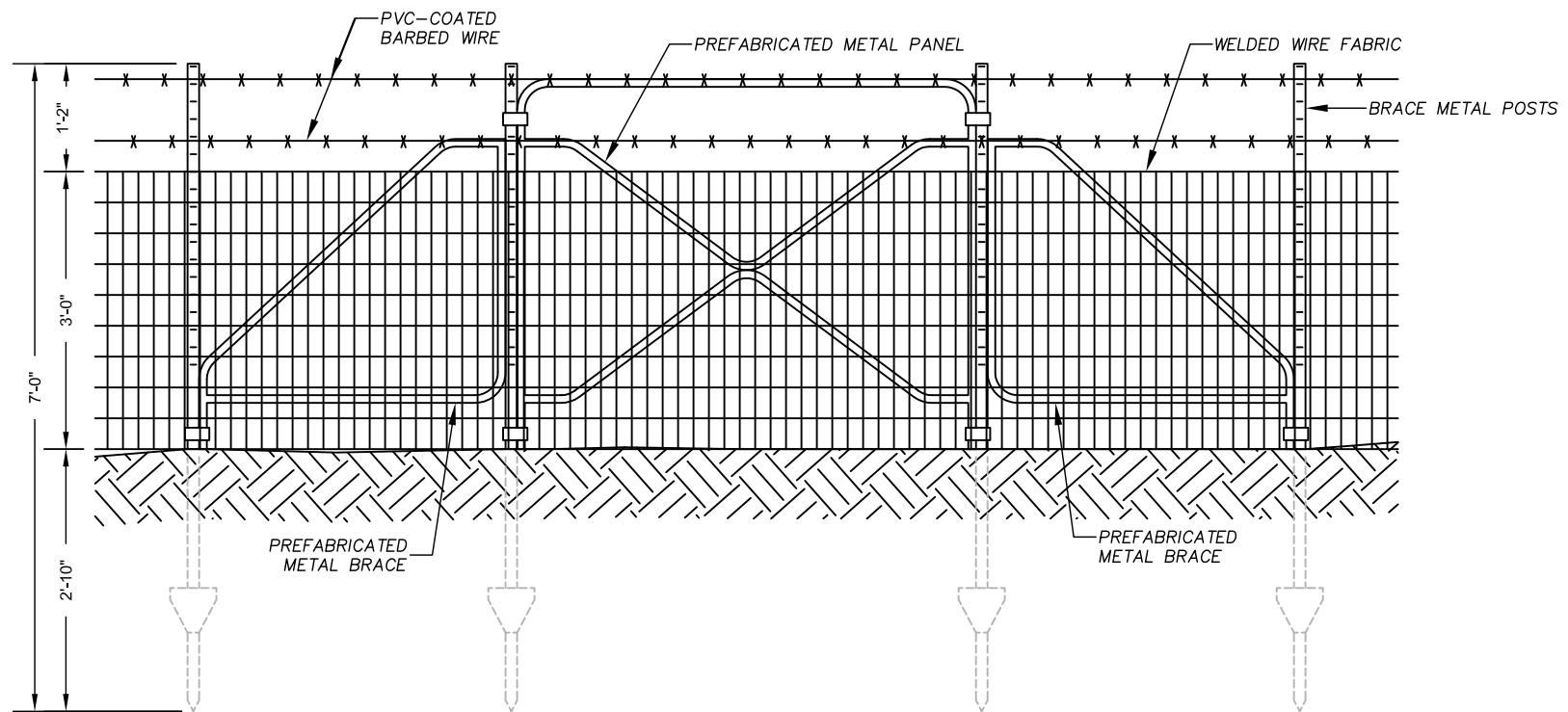
WELDED WIRE FENCE LOCATIONS

LOCATION	MINE OPENING (FT)	APPROX. FENCE NEEDED (FT.)	NO. OF GATES NEEDED
6-111	7' x 5'	42	1
6-112	7' x 7'	44	0
V (IO 3)	7' x 5'	42	0
P (6-81)	8' x 8'	48	0

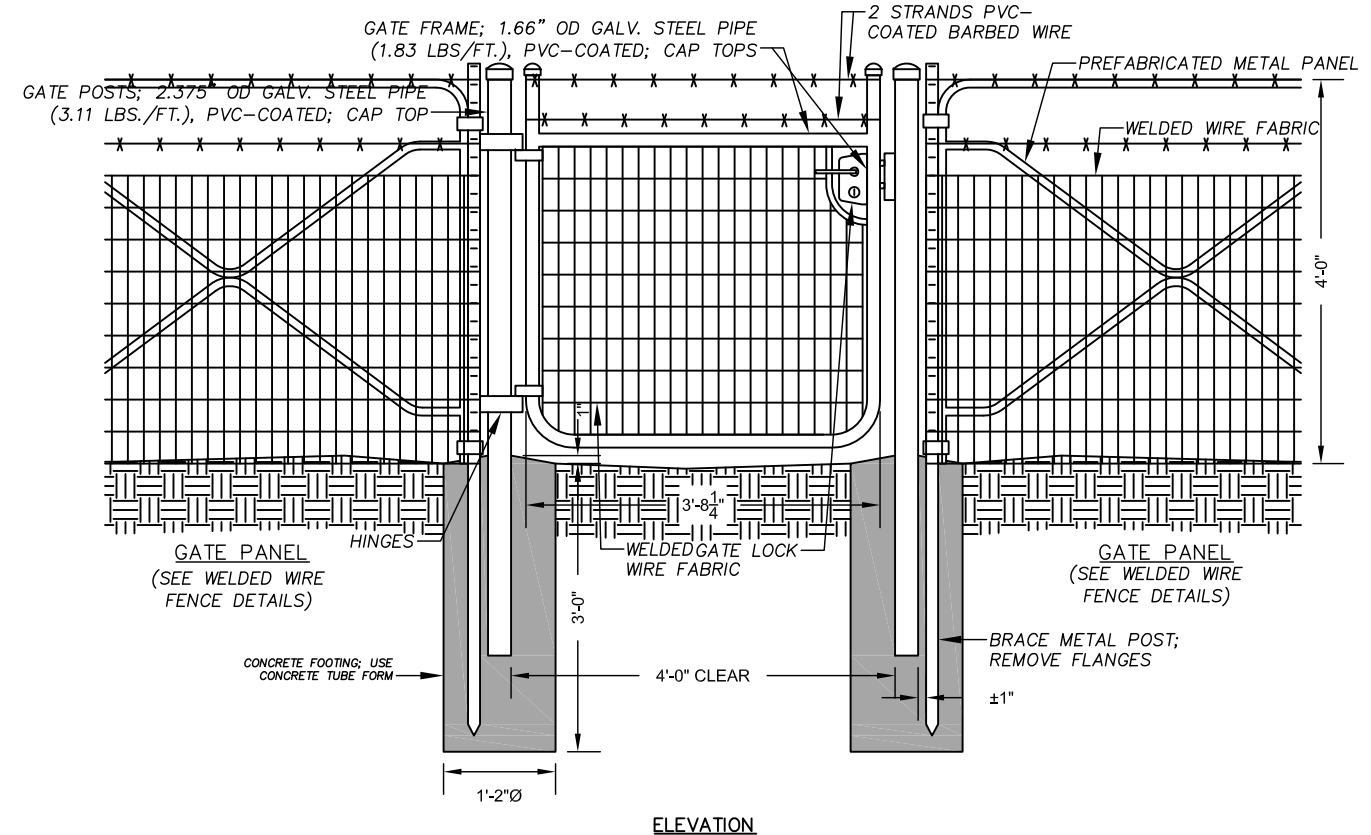


END, CORNER OR GATE PANEL

NOTE: RIGHT SIDE PANEL IS SHOWN. LEFT SIDE PANELS AT ENDS, CORNERS AND GATES SHALL BE OPPOSITE. PLACE PANELS AND BRACES ON THE INSIDE OF THE FENCE ENCLOSURE.



INTERMEDIATE BRACE PANEL



ELEVATION

WELDED WIRE GATE DETAILS

GENERAL NOTES:

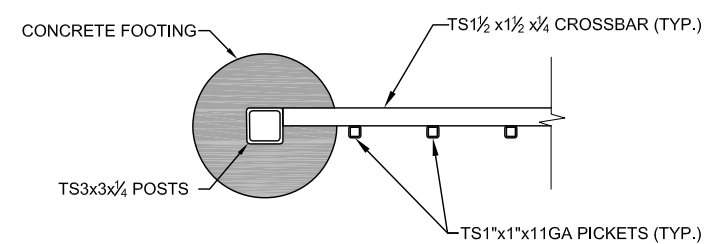
- USE CLAMPS PROVIDED BY THE MANUFACTURER TO ATTACH METAL POSTS TO PANELS AND BRACES. INSTALL BRACE PANELS ACCORDING TO MANUFACTURER'S INSTRUCTIONS. PREFABRICATED PANELS AND BRACES SHALL BE 'EASY FENCE' BY D-C INDUSTRIES OR EQUIVALENT.
- RUN FENCE IN STRAIGHT LINES BETWEEN END AND CORNER POSTS. AVOID ACUTE ANGLES (LESS THAN 90°) AT FENCE CORNERS.
- IN SOLID ROCK, SET POSTS INTO HOLES ONE-HALF INCH LARGER IN DIAMETER THAN THE MAXIMUM CROSS-SECTIONAL DIMENSION OF THE POSTS. DRILL HOLES TO A DEPTH OF AT LEAST THREE TIMES THE HOLE DIAMETER.
- GATE LOCATION SHALL BE DETERMINED IN THE FIELD BY THE PROJECT MANAGER.
- ALL GALVANIZED METAL SHALL BE PAINTED WITH "NATINA STEEL" BY NATINA PRODUCTS (WWW.NATINAPRODUCTS.COM) OR AN APPROVED EQUIVALENT. APPLICATION RATE SHALL BE AS DIRECTED BY THE MANUFACTURER.
- GATE LOCK SHALL BE SELF-LOCKING "LOCINOX," OR APPROVED EQUIVALENT (AVAILABLE FROM HOOVER FENCE CO. AS CHAIN LINK GATE LOCK "HA504-PLUS," (800) 355-2335, WWW.HOOVERFENCE.COM).
- THE PROJECT MANAGER SHALL DETERMINE THE LAYOUT OF THE FENCE AND PROXIMITY TO THE MINE OPENING. AS A GENERAL RULE, THE FENCE BE OFFSET FROM OPENING BY THREE TO FOUR FEET.

ABANDONED MINE LAND PROGRAM
MINING AND MINERALS DIVISION
 NEW MEXICO ENERGY, MINERALS, AND NATURAL RESOURCES DEPARTMENT

SCALE: 1/2"=1'-0" VARIOUS LOCATIONS DRAWN BY: JAK
 DATE: REVISED BY: MWT

WELDED WIRE FENCE DETAILS

FILE: CERRILLOS CENT./BONANZA CREEK MINE SAFEGUARD PROJECT - PH. III FIGURE: 14

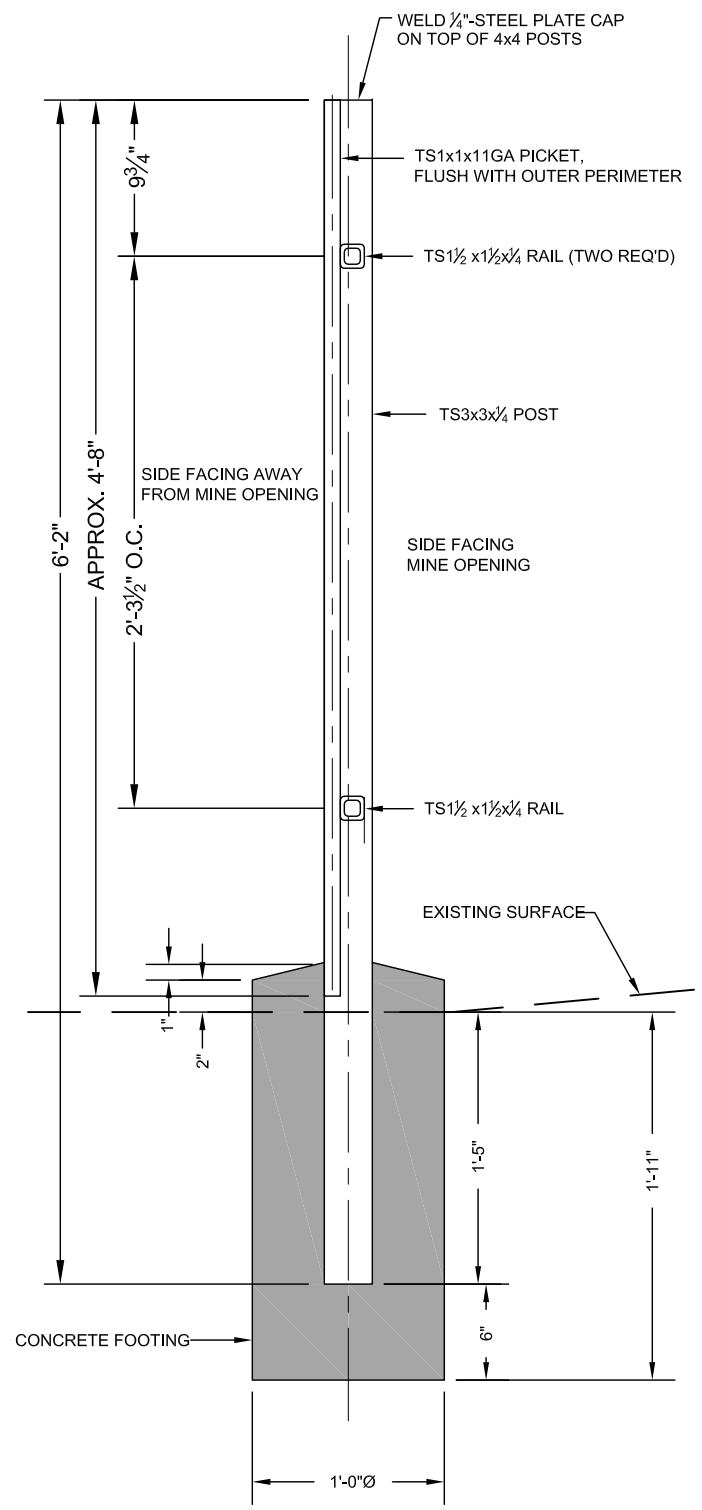


PLAN SECTION VIEW
SCALE: 3/4" = 1'-0"

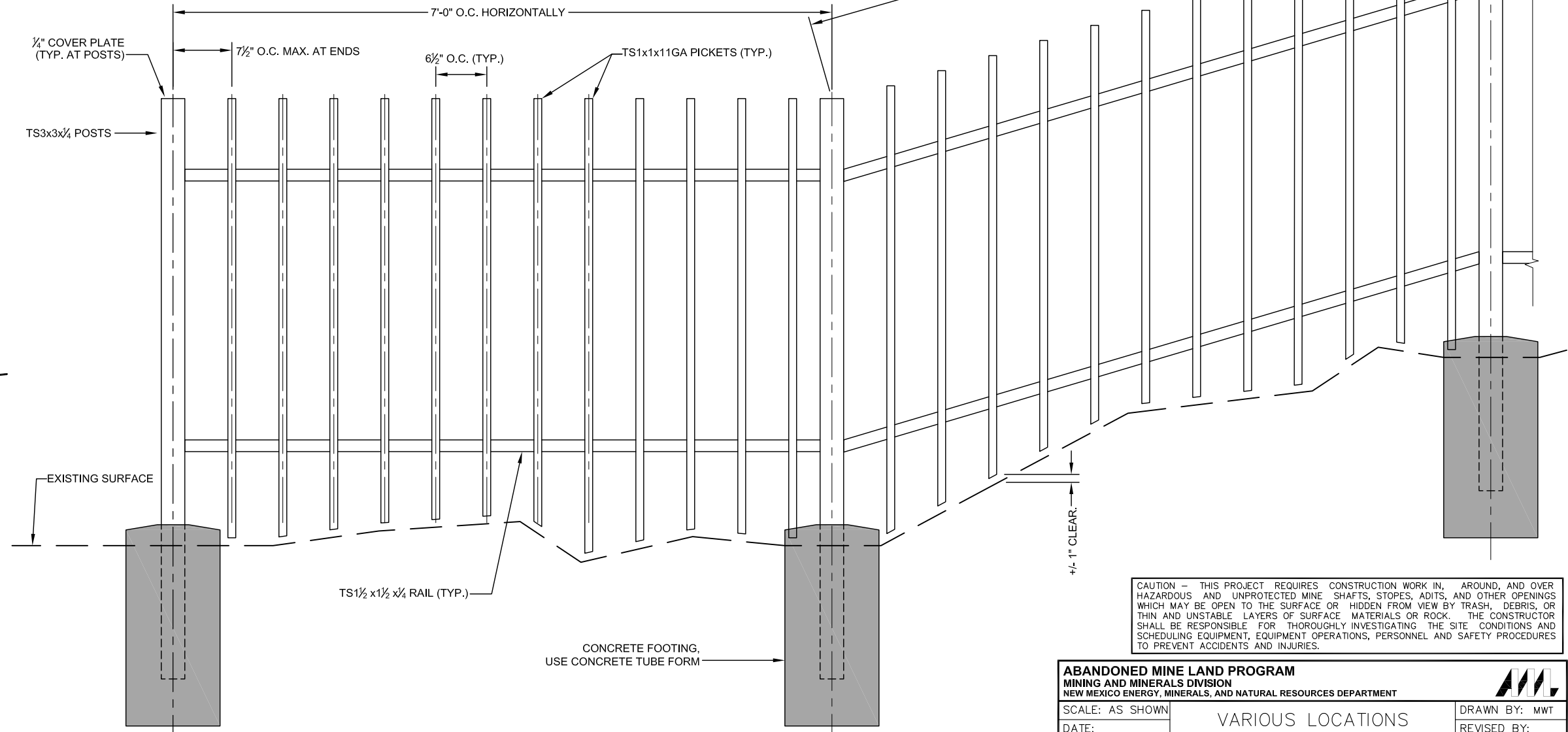
GENERAL NOTES:

1. STEEL SHAPES, PLATES AND BARS SHALL BE WEATHERING STEEL. WELD EACH PICKET ALONG BOTH SIDES AND ACROSS THE TOP AT THE TOP AND BOTTOM RAILS. OTHERWISE WELD ALL JOINTS CONTINUOUSLY. GRIND WELDS SMOOTH.
2. IN SOLID ROCK, SET POSTS INTO 5-INCH DIAMETER HOLES DRILLED TO A DEPTH OF AT LEAST EIGHT INCHES AND GROUT IN PLACE.
3. TRIM PICKETS SO THAT THERE IS A ONE-INCH SPACE BETWEEN THE BOTTOM OF PICKET AND GROUND SURFACE. MAKE THE TOP OF PICKETS A STRAIGHT LINE BETWEEN POSTS.
4. THE PROJECT MANAGER SHALL DETERMINE THE LAYOUT OF THE FENCE AND PROXIMITY TO THE MINE OPENING. AS A GENERAL RULE, THE FENCE BE OFFSET FROM OPENING BY THREE TO FOUR FEET.
5. INSTALL SURVEY CAP IN ACCORDANCE WITH SECTION 02890.

STEEL PICKET FENCE LOCATIONS		
LOCATION	MINE OPENING (FT)	APPROX. FENCE NEEDED (FT.)
B (3-71)	11' x 10'	80
J (6-76)	11' x 8'	70
R (6-83)	8' x 8'	70



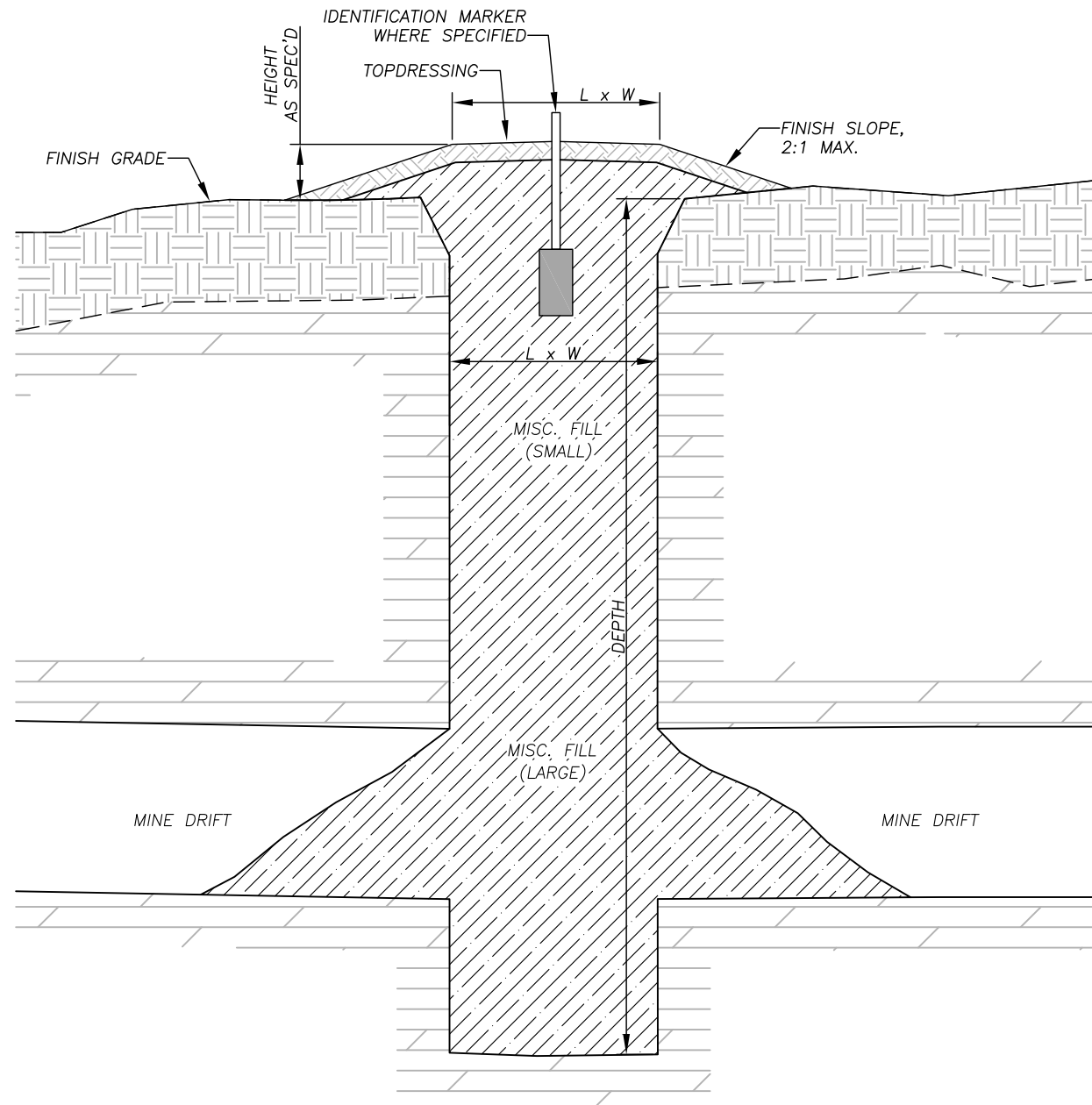
POST SECTION VIEW
SCALE: 1" = 1'-0"



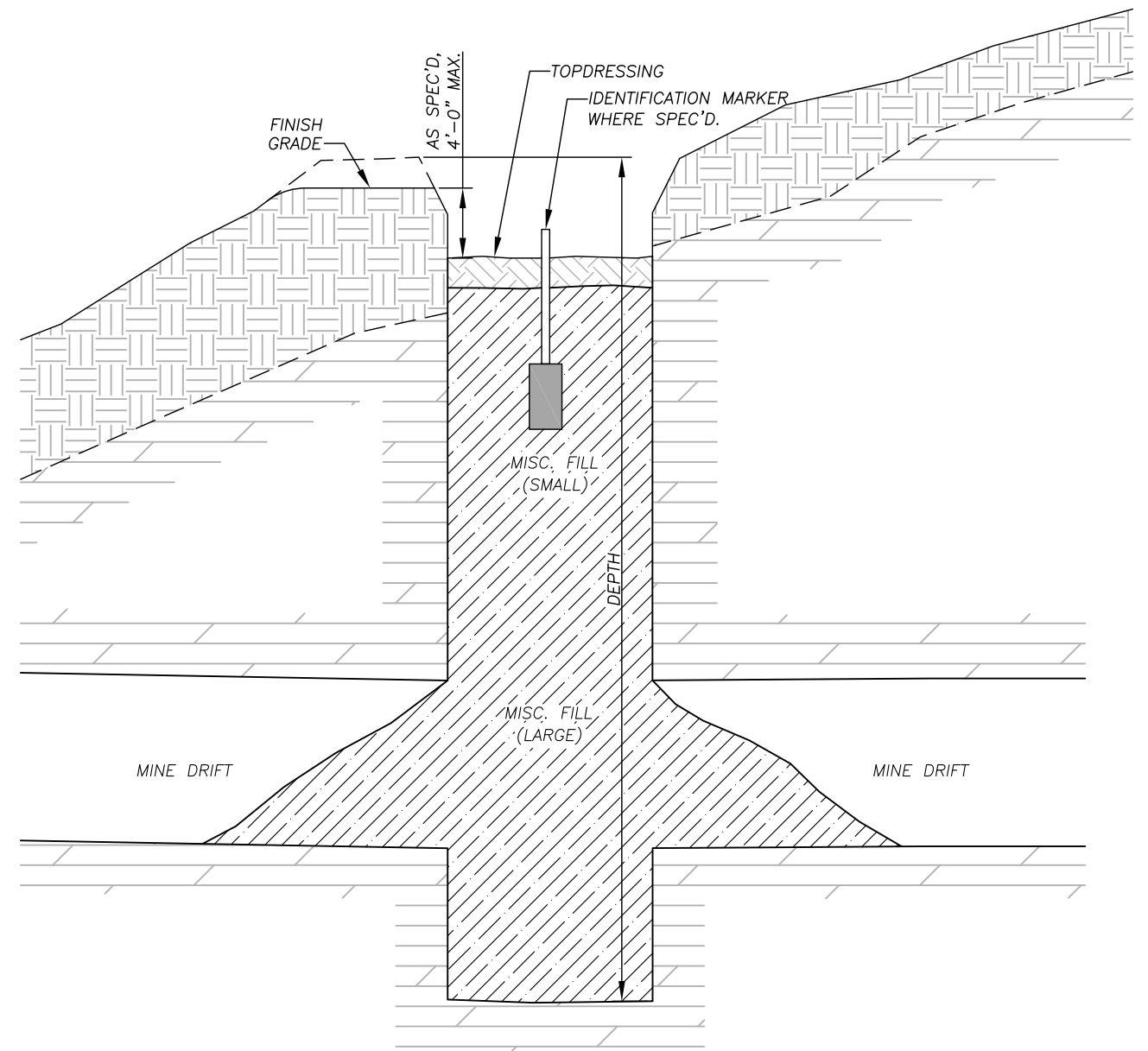
ELEVATION VIEW
SCALE: 3/4" = 1'-0"

CAUTION - THIS PROJECT REQUIRES CONSTRUCTION WORK IN, AROUND, AND OVER HAZARDOUS AND UNPROTECTED MINE SHAFTS, STOPES, ADITS, AND OTHER OPENINGS WHICH MAY BE OPEN TO THE SURFACE OR HIDDEN FROM VIEW BY TRASH, DEBRIS, OR THIN AND UNSTABLE LAYERS OF SURFACE MATERIALS OR ROCK. THE CONSTRUCTOR SHALL BE RESPONSIBLE FOR THOROUGHLY INVESTIGATING THE SITE CONDITIONS AND SCHEDULING EQUIPMENT, EQUIPMENT OPERATIONS, PERSONNEL AND SAFETY PROCEDURES TO PREVENT ACCIDENTS AND INJURIES.

ABANDONED MINE LAND PROGRAM MINING AND MINERALS DIVISION NEW MEXICO ENERGY, MINERALS, AND NATURAL RESOURCES DEPARTMENT		
SCALE: AS SHOWN	VARIOUS LOCATIONS	DRAWN BY: MWT
DATE:		REVISED BY:
METAL PICKET FENCE DETAILS (TYPICAL)		
FILE:	CERRILLOS CENT./BONANZA CREEK MINE SAFEGUARD PROJECT - PH. III	FIGURE: 15



**MOUNDED BACKFILL DESIGN
(TYPICAL SECTION)**



**DEPRESSED BACKFILL DESIGN
(TYPICAL SECTION)**

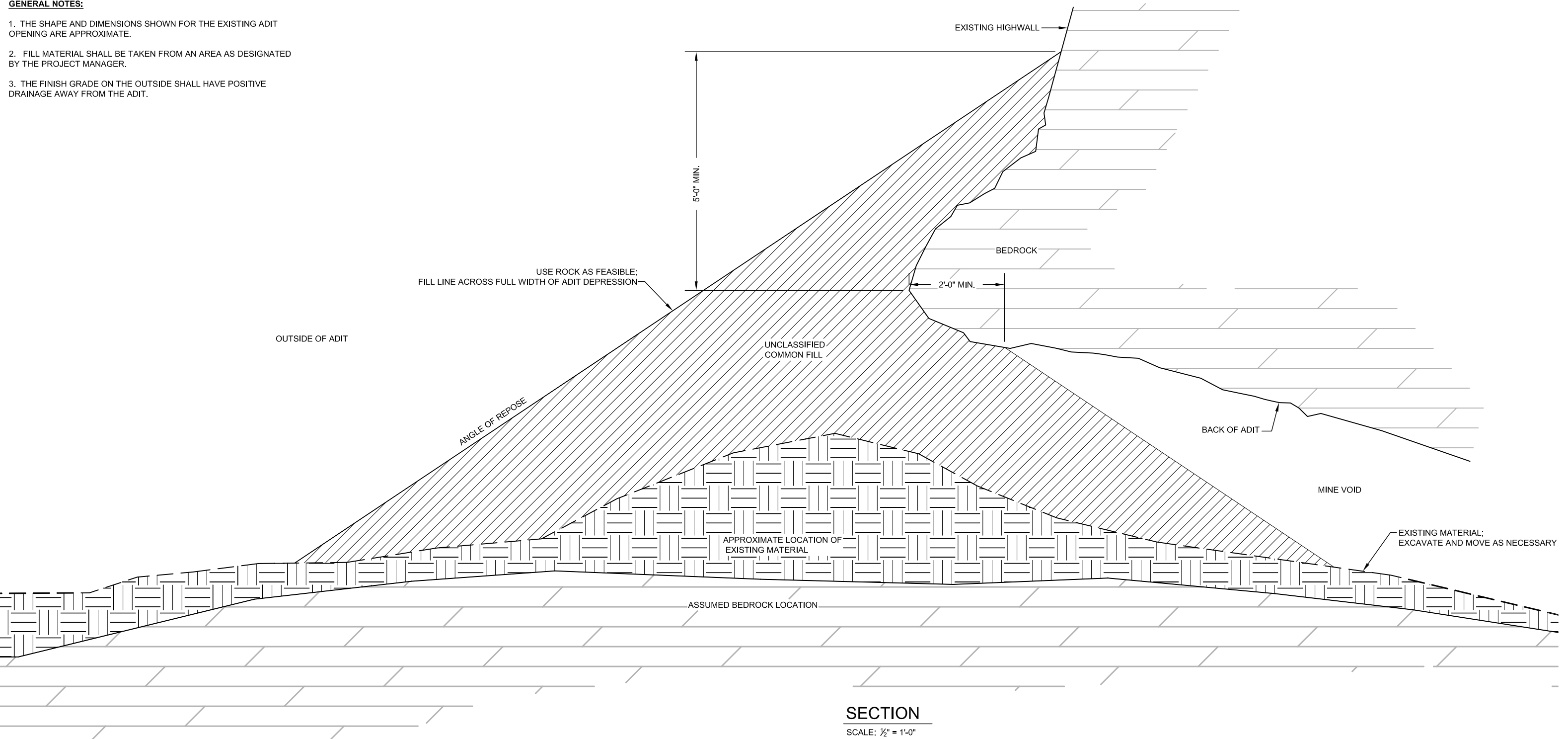
GENERAL NOTES:

1. THE FILL AT AND ABOVE DRIFT LEVELS SHALL CONSIST OF THE COARSEST MATERIAL AVAILABLE. SMALLER MATERIAL MAY BE USED ELSEWHERE. SEE THE SPECIFICATIONS FOR ADDITIONAL REQUIREMENTS.
2. AS PRACTICABLE, SHAPE THE REMAINING MINE WASTE MATERIAL TO RESEMBLE AN UNDISTURBED MINE WASTE PILE.
3. THE LENGTH AND WIDTH OF THE TOP OF THE MOUND SHALL BE EQUAL TO OR GREATER THAN THE INTERNAL SHAFT LENGTH AND WIDTH RESPECTIVELY.

ABANDONED MINE LAND PROGRAM MINING AND MINERALS DIVISION NEW MEXICO ENERGY, MINERALS, AND NATURAL RESOURCES DEPARTMENT			
SCALE: NOT TO SCALE	VARIOUS LOCATIONS	DRAWN BY: JAK	
DATE:		REVISED BY:	
SHAFT BACKFILL DESIGNS			
FILE:	CERRILLOS CENT/BONANZA CREEK MINE SAFEGUARD PROJECT-PH III	FIGURE: 16	

GENERAL NOTES:

1. THE SHAPE AND DIMENSIONS SHOWN FOR THE EXISTING ADIT OPENING ARE APPROXIMATE.
2. FILL MATERIAL SHALL BE TAKEN FROM AN AREA AS DESIGNATED BY THE PROJECT MANAGER.
3. THE FINISH GRADE ON THE OUTSIDE SHALL HAVE POSITIVE DRAINAGE AWAY FROM THE ADIT.



CAUTION - THIS PROJECT REQUIRES CONSTRUCTION WORK IN, AROUND, AND OVER HAZARDOUS AND UNPROTECTED MINE SHAFTS, STOPS, ADITS, AND OTHER OPENINGS WHICH MAY BE OPEN TO THE SURFACE OR HIDDEN FROM VIEW BY TRASH, DEBRIS, OR THIN AND UNSTABLE LAYERS OF SURFACE MATERIALS OR ROCK. THE CONSTRUCTOR SHALL BE RESPONSIBLE FOR THOROUGHLY INVESTIGATING THE SITE CONDITIONS AND SCHEDULING EQUIPMENT, EQUIPMENT OPERATIONS, PERSONNEL AND SAFETY PROCEDURES TO PREVENT ACCIDENTS AND INJURIES.

ABANDONED MINE LAND PROGRAM MINING AND MINERALS DIVISION NEW MEXICO ENERGY, MINERALS, AND NATURAL RESOURCES DEPARTMENT		
SCALE: 1/2" = 1'-0" DATE: 10/6/2014	DRAWN BY: MWT REVISED BY:	
VARIOUS LOCATIONS TYPICAL ADIT BACKFILL		
FILE:	CERRILLOS CENTRAL/BONANZA CREEK MINE SAFEGUARD - PH.III	FIGURE: 17